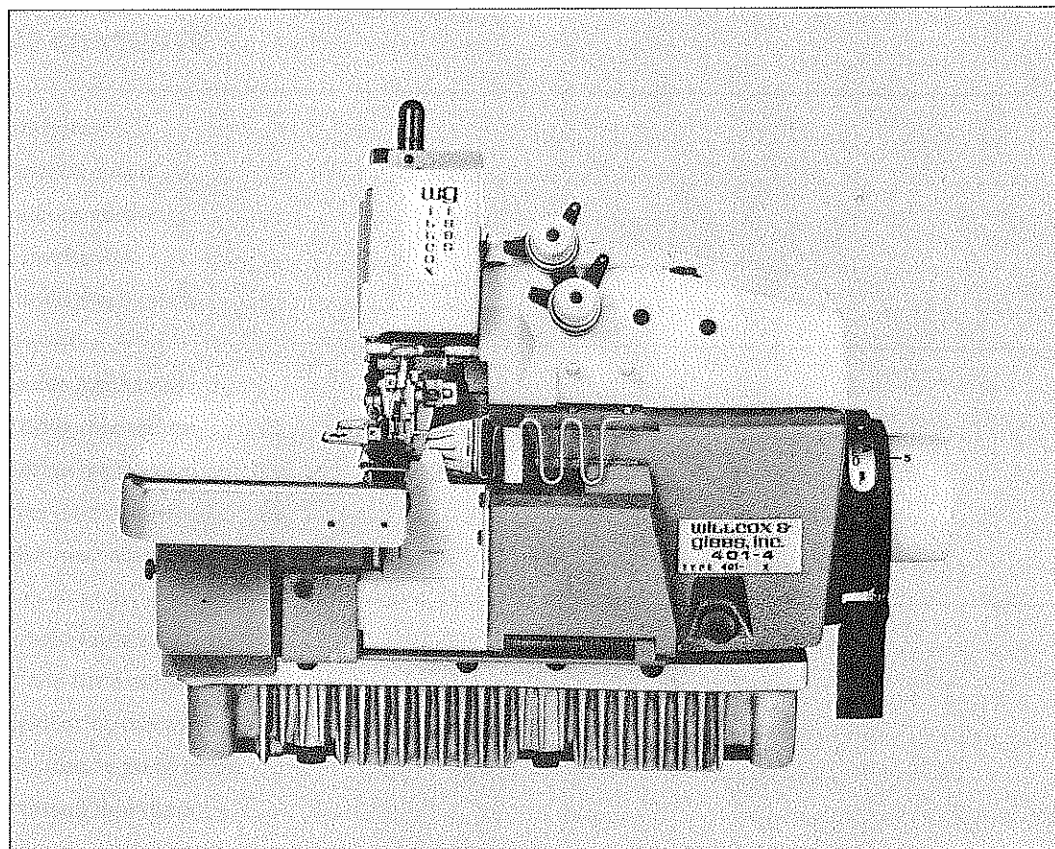


401-4



From the library of: Diamond Needle Corp

WILCOX & GIBBS

IN ORDERING PARTS

This list has been arranged to simplify ordering repair parts for class 401 machines.

Various sections of the mechanisms are shown on each page. On the page opposite the illustration will be found a listing of the parts with their reference numbers, part numbers, names, and the number of pieces required.

A part, whose number is marked with an asterisk, e.g., *208274, Page 21, is not recommended for the individual replacement, so complete assembly or sub-assembly should be ordered.

In the illustration section, the specific parts, which are specifically used in a certain machine model, are shown in the square enclosed, and outside the square are shown the common parts, which are used in common for all class 401 machines.

In addition, a symbol number ① ② or ③ is used to make the specific parts clear; marked after the machine

model number shown in the square in the illustration section, and also marked before some part numbers in the parts list section.

So, the details of the component parts of a certain machine model may be obtained by putting the parts data of the common parts and the specific parts together.

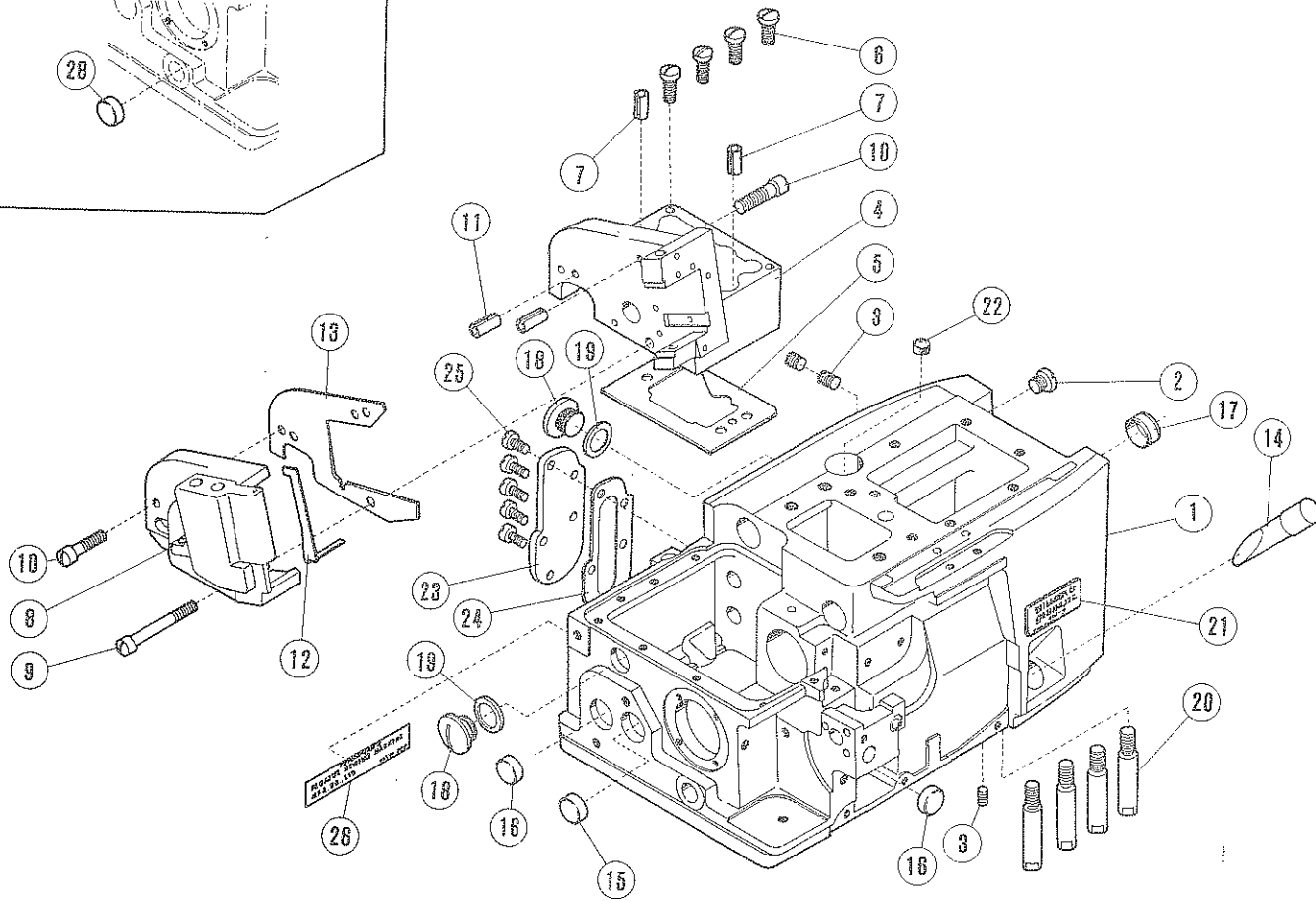
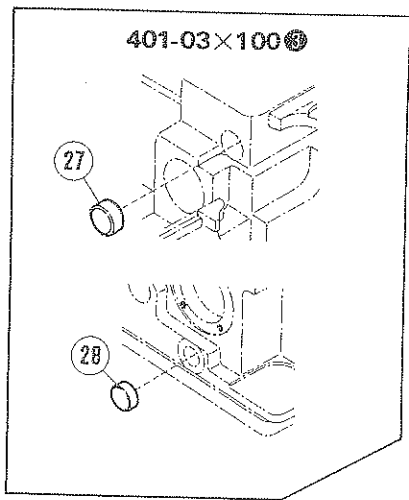
At the back of this list will be found a numerical index of all the parts shown in this list. This will facilitate locating the illustration and description when only the part number is known.

In ordering parts from this list, use only the part number in the second column. Reference number should never be used in ordering parts.

This list covers January, 1977 lot machines and is applicable to your machine, subject to change without notice.

TABLE OF CONTENTS

	Page
Machine bed frame	2 - 3
(1) Miscellaneous covers	4 - 5
(2) Miscellaneous covers	6 - 7
Crankshaft mechanism	8 - 9
(1) Needle drive mechanism	10 - 11
(2) Needle drive mechanism	12 - 13
(1) Looper drive mechanism	14 - 15
(2) Looper drive mechanism	16 - 17
(1) Feed drive mechanism	18 - 19
(2) Feed drive mechanism	20 - 21
Upper and lower knife mechanism	22 - 23
Presser foot and lift mechanism	24 - 25
(1) Pump lubricating mechanism	26 - 27
(2) Pump lubricating mechanism	28 - 29
Needle and thread lubricator	30 - 31
Attachments	32 - 33
Accessories for semi-submerged installation	34 - 35
Thread stand	36 - 37
Accessories	38 - 39
Numerical index of parts	40 - 48

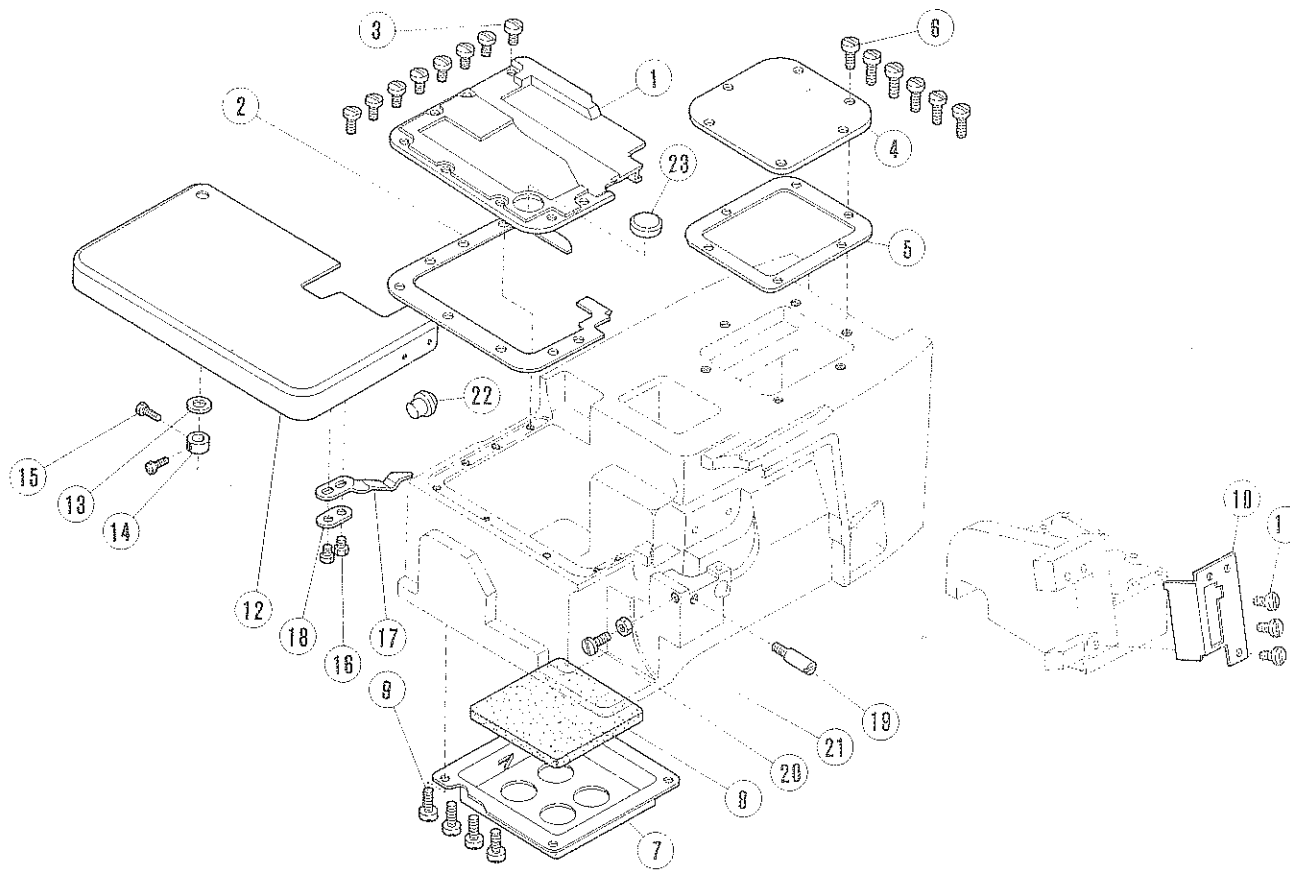


From the library of: Diamond Needle Corp

REF. NO.	PART NO.	NEW PRODUCT CODE NO.	DESCRIPTION	QT.
1	208624	Mfg. only	Machine bed frame	1
2	5332	323-600-359	oil hole plug screw (with head)	1
3	2022	323-600-043	" " " screw	3
4	208602	323-500-019	Machine arm (right)	1
5	204251	323-663-207	gasket	1
6	5078	323-600-001	screw	4
7	201002	323-620-001	dowel pin	2
8	208603	323-500-020	Machine arm (left)	1
9	5237	323-600-327	screw (long)	1
10	5163	323-600-328	" (short)	2
11	201002	323-620-001	dowel pin	2
12	208434	323-560-047	oil shield	1
13	208169A	323-663-021	gasket	1
14	204003	323-882-201	Oil sight gauge	1
15	205088	323-627-014	Dead hole plug	1
16	208173	323-780-009	Dead hole plug	2
17	204828	323-627-010	" " plug	1
18	5179	323-600-329	screw (small)	2
19	201006	323-615-001	" " washer	2
20	204006	323-620-242	Machine bed bottom pin	4
21	208650	323-692-039	Type plate blank	1
22	204794A	323-655-007	Machine bed oil filter	1
23	208289	323-800-056	Machine bed cover plate (back)	1
24	208290	323-663-020	gasket	1
25	5117	323-600-057	screw	5
26	202526	323-692-201	Manufacturer's name plate	1
27	⊕ 204828	323-627-010	Dead hole plug	1
28	⊕ 208173	323-780-009	" " plug	1

From the library of: Diamond Needle Corp

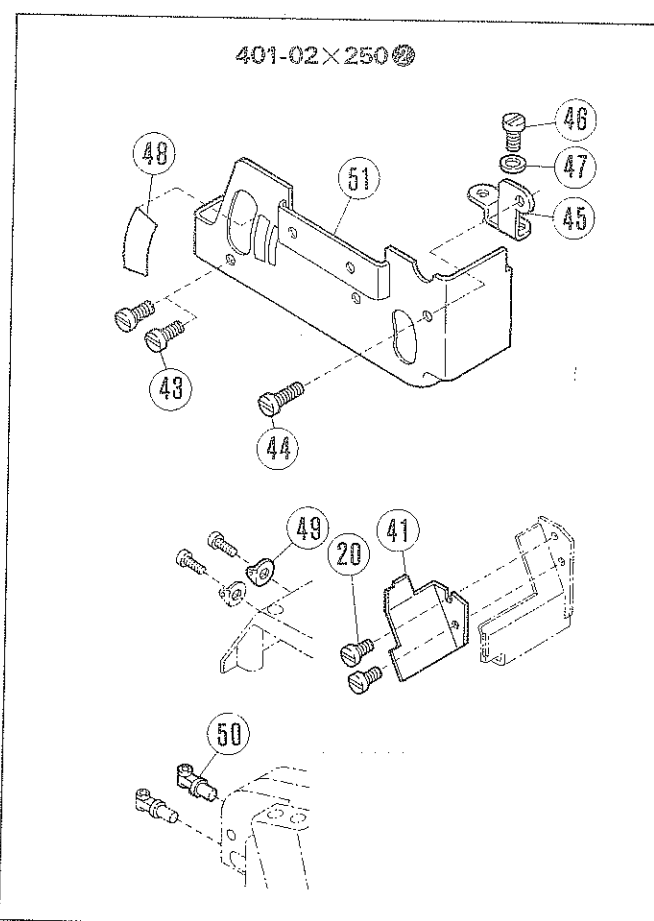
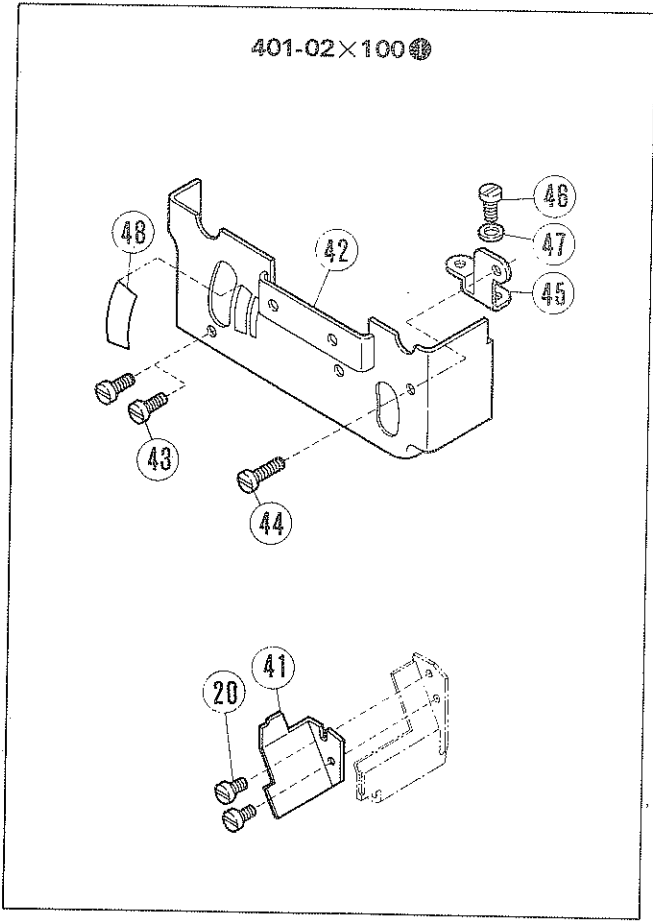
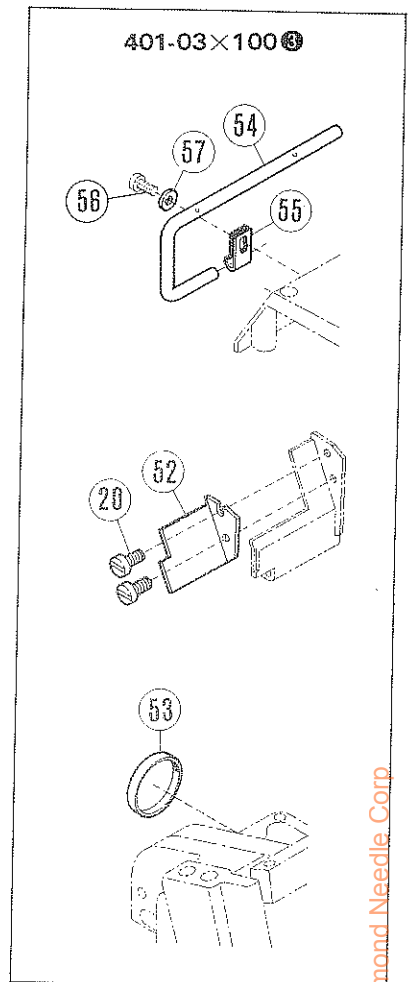
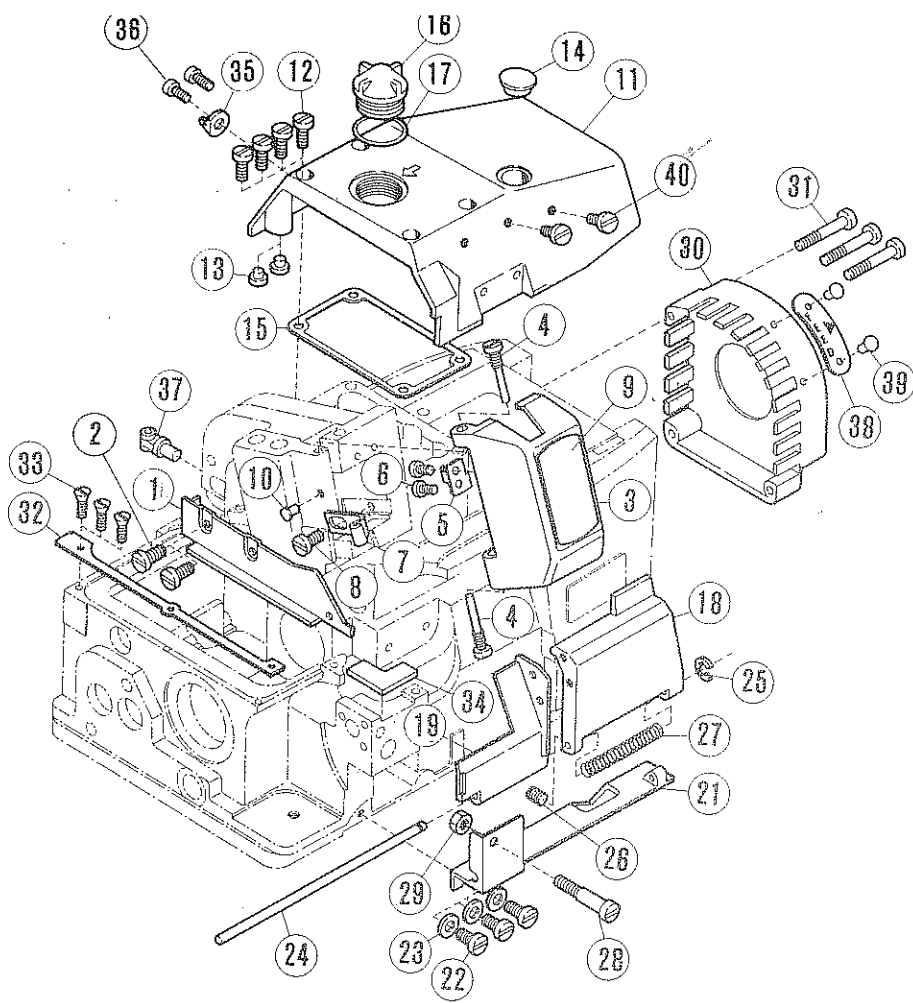
Mark	Meaning
*	Not for individual supply
⊕	Parts for 401-02x100 only
⊗	Parts for 401-02x250 only
⊙	Parts for 401-03x100 only



From the library of: Diamond Needle Corp

(1) MISCELLANEOUS COVERS

REF. NO.	PART NO.	NEW PRODUCT CODE NO.	DESCRIPTION	QT.
1	208317	323-800-057	Bedplate	1
2	208422	323-663-024	gasket	1
3	4009-1	323-600-014	screw	8
4	208341	323-800-055	Bed cover plate (right)	1
5	208342	323-663-022	gasket	1
6	5117	323-600-057	screw	6
7	208347	323-510-078	Machine bed bottom cover	1
8	208348	323-655-011	oil filter	1
9	5117	323-600-057	screw	4
10	208430	323-800-061	Face plate	1
11	4009-1	323-600-014	screw	3
12	208610	323-802-014	Cloth plate, complete	1
13	202576	323-615-201	hinge stud thrust washer	1
14	201139	323-680-001	" " " collar	1
15	5084	323-600-013	" " " " screw	2
16	204218	323-734-204	lock spring	1
17	1216	323-600-068	" " screw	2
18	200162A	323-615-031	" " " washer	1
19	5232	323-600-314	" " latch	1
20	5441	323-600-140	stop screw	1
21	3044	323-630-001	" " nut	1
22	208482	323-627-018	cushion (small)	1
23	204827	323-627-009	" (large)	1

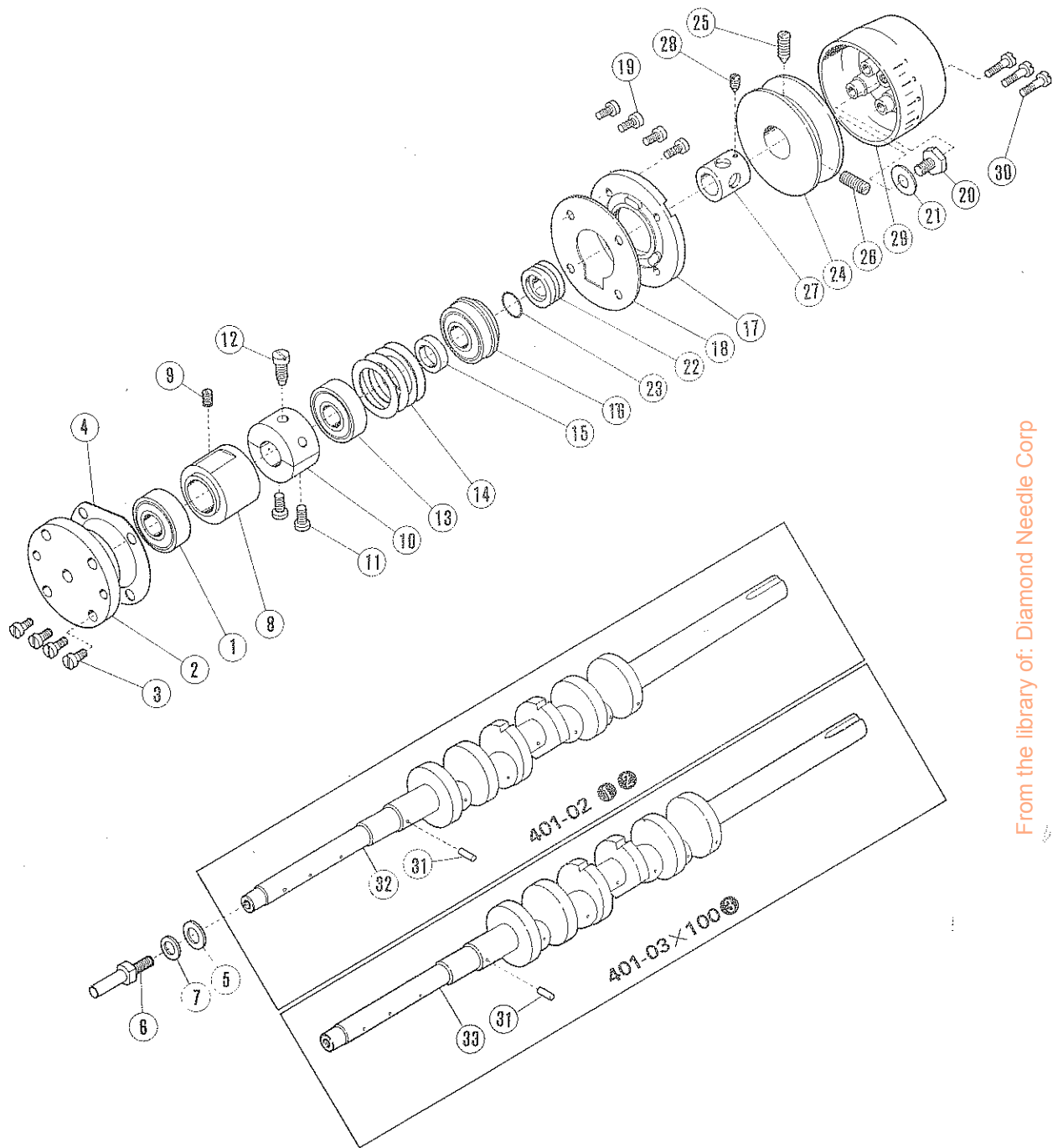


From the library of: Diamond Needle Corp

(2) MISCELLANEOUS COVERS

REF. NO.	PART NO.	NEW PRODUCT CODE NO.	DESCRIPTION	QT.
1	204848A	323-560-051	Cloth plate fabric guard	1
2	4009-1	323-600-014	screw	2
3	208023A	323-510-086	Needle bar cover	1
4	202653	323-620-240	hinge pin	2
5	202689	323-641-201	lock spring	1
6	1234	323-600-006	" " screw	2
7	204223	323-510-248	" " latch	1
8	4009-1	323-600-014	" " " screw	1
9	208724	323-692-038	name plate	1
10	198192	323-627-020	cushion rubber	1
11	208581	323-510-094	Top cover	1
12	5152	323-600-061	screw	4
13	208482	323-627-018	cushion	2
14	208339	323-627-019	plug	1
15	208481	323-663-030	gasket	1
16	206457	323-656-003	Oil splash sight window	1
17	206550	323-632-004	o ring	1
18	208383	323-510-095	Front cover (right)	1
19	208384	323-510-096	" " (left)	1
20	1189	323-600-301	screw	2
21	208008	323-728-008	hinge	1
22	1202	323-600-032	" screw (short)	3
23	137906	323-615-018	" " washer	3
24	208009	323-620-026	" pin	1
25	200555	323-634-004	" " stop ring	1
26	5146	323-600-264	stop screw	1
27	208010	323-640-015	hinge spring	1
28	5094	323-600-072	" screw (long)	1
29	5137	323-630-202	" " " nut	1
30	204650A	323-510-030	Oil cooler cover	1
31	5094	323-600-072	screw	3
32	204242	323-627-206	Cloth plate cushion rubber (left)	1
33	5022	323-600-251	screw	3
34	204243	323-627-207	Cloth plate cushion rubber (front)	1
35	167079	323-860-211	Looper thread eyelet	1
36	5091	323-600-257	screw	2
37	201048A	323-860-200	Looper thread eyelet	1
38	204649	323-891-002	Stitch indicator	1
39	204871	323-628-002	rivet	2
40	5091	323-600-257	Plug screw	2
41	② 208583	323-800-070	Front cover (left) plate	1
42	① 204865A	323-510-088	Machine cover (left)	1
43	② 5091	323-600-257	screw (short)	2
44	② 5182	323-600-109	" (long)	1
45	② 204868	323-646-004	spacer	1
46	② 2902	323-600-259	" screw	1
47	② 202286	323-617-200	" " washer	1
48	② 208340	323-891-004	Diff. feed ratio indication plate	1
49	② 167079	323-860-211	Looper thread eyelet	1
50	② 201048A	323-860-200	" " eyelet	1
51	② 208570	323-510-097	Machine cover (left)	1
52	② 208645	323-800-071	Front cover (left) plate	1
53	② 208647	323-627-021	Dead hole plug	1
54	② 191145A	325-851-204	Thread guide bar	1
55	② 206115	325-683-003	clamp	1
56	② 5091	323-600-257	" screw	1
57	② 201185	323-615-012	" " washer	1

Mark	Meaning
*	Not for individual supply
①	Parts for 401-02x100 only
②	Parts for 401-02x250 only
③	Parts for 401-03x100 only



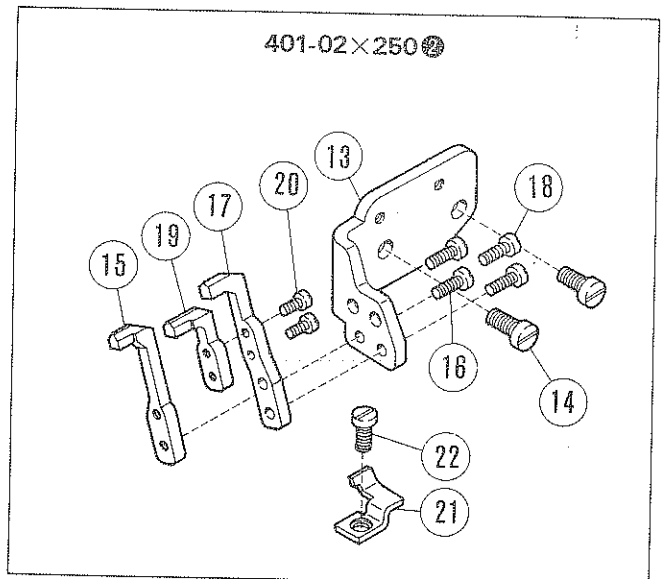
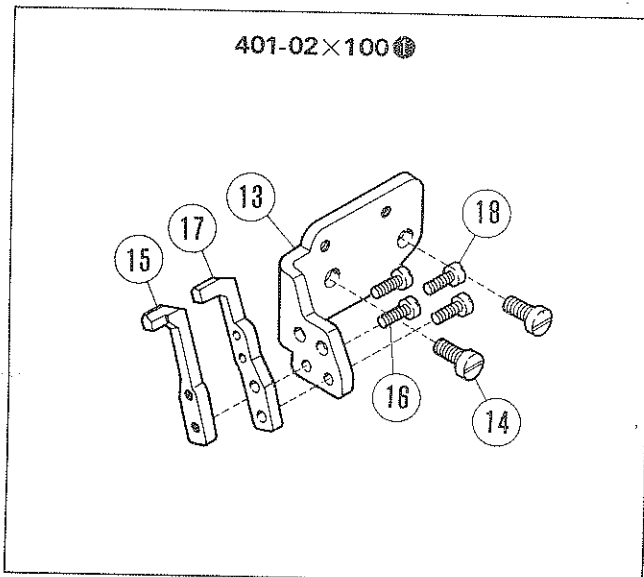
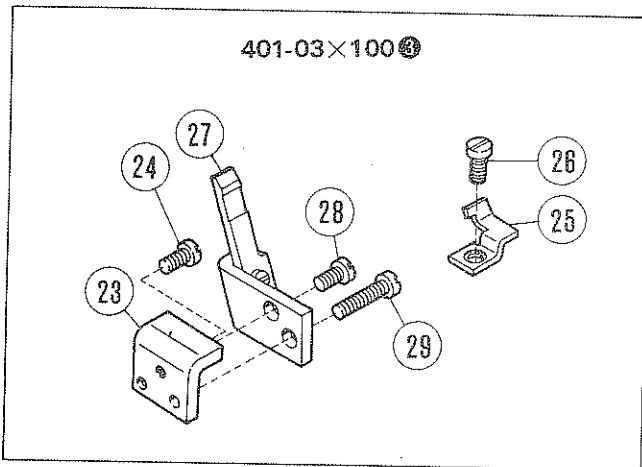
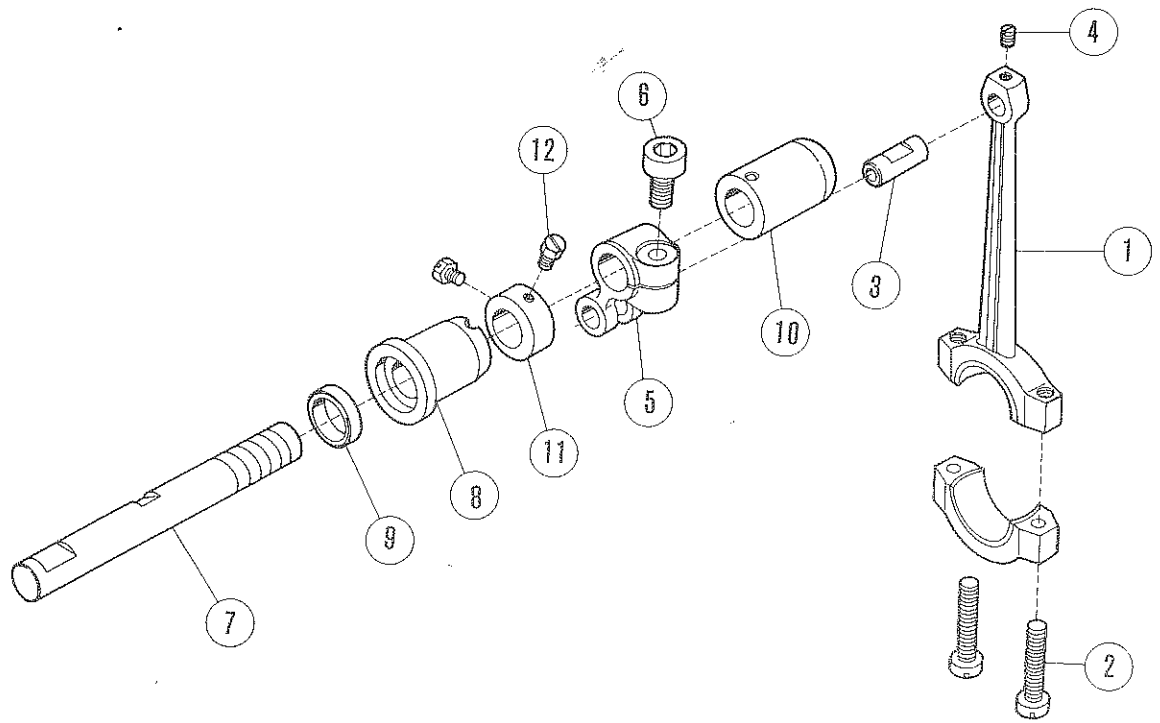
From the library of: Diamond Needle Corp

CRANKSHAFT MECHANISM

REF. NO.	PART NO.	NEW PRODUCT CODE NO.	DESCRIPTION	QT.
1	204010	323-671-200	Crankshaft ball bearing (left)	1
2	204881	323-515-004	housing	1
3	5136	323-600-245	" screw	4
4	204319	323-663-205	" gasket	1
5	204789	323-618-010	retaining ring	1
6	204873	323-758-003	Crankshaft extension	1
7	204520	323-615-233	washer	1
8	204014	323-676-243	Crankshaft bushing	1
9	2022	323-600-043	screw	1
10	204016	323-676-232	Crankshaft bushing (center)	1
11	1174	323-600-027	assembly screw	2
12	5240	323-600-293	screw	1
13	201523A	323-671-001	Crankshaft ball bearing (center)	1
14	204018	323-615-217	spring	4
15	204019A	323-646-001	spacer	1
16	204020A	323-671-002	Crankshaft ball bearing (right)	1
17	208477	323-800-072	plate	1
18	204022	323-626-202	" gasket	1
19	5117	323-600-057	" screw	4
20	5238	323-600-294	screw	1
21	204023	323-615-221	" washer	1
22	208476	323-680-013	Crankshaft oil seal collar	1
23	208272	323-632-002	o ring	1
24	204025	323-546-203	Machine pulley	1
25	5080	323-600-008	position screw	1
26	5081	323-600-009	screw	1
27	204026	323-546-204	collar	1
28	5267	323-600-295	" screw	1
29	208320	323-780-011	cap	1
30	5010	323-600-010	" screw	3
31	202081	323-653-003	Crankshaft oil wick	1
32	①② 208714	323-540-034	Crankshaft	1
33	③ 208715	323-540-035	Crankshaft	1

From the library of: Diamond Needle Corp

Mark	Meaning
*	Not for individual supply
①	Parts for 401-02x100 only
②	Parts for 401-02x250 only
③	Parts for 401-03x100 only

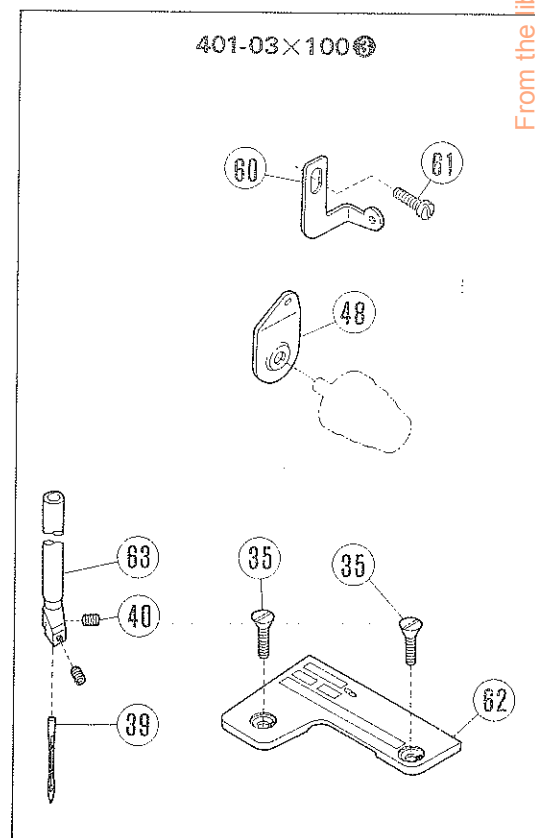
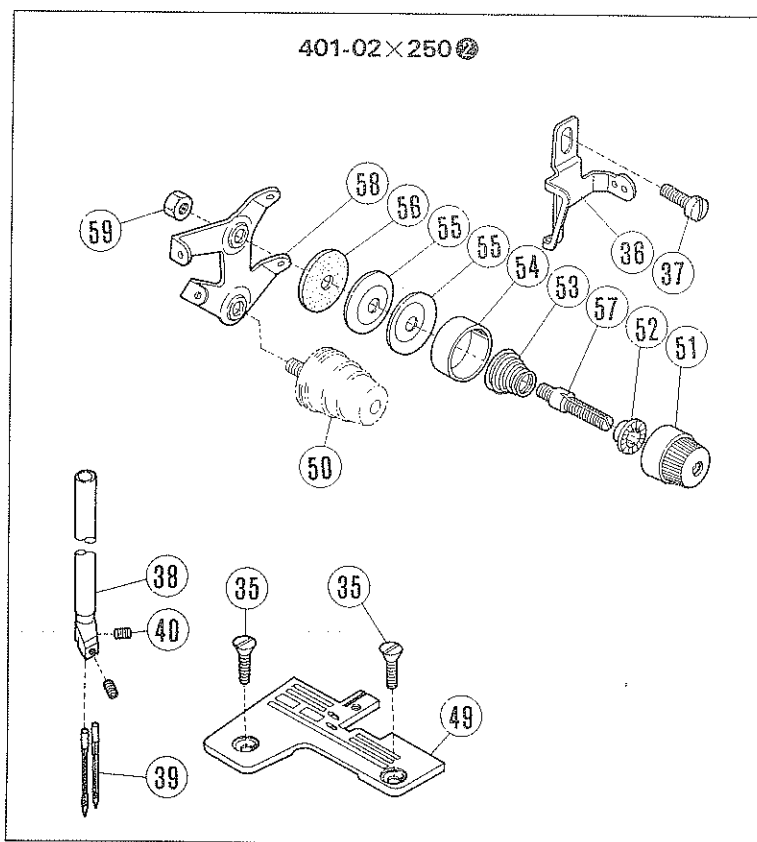
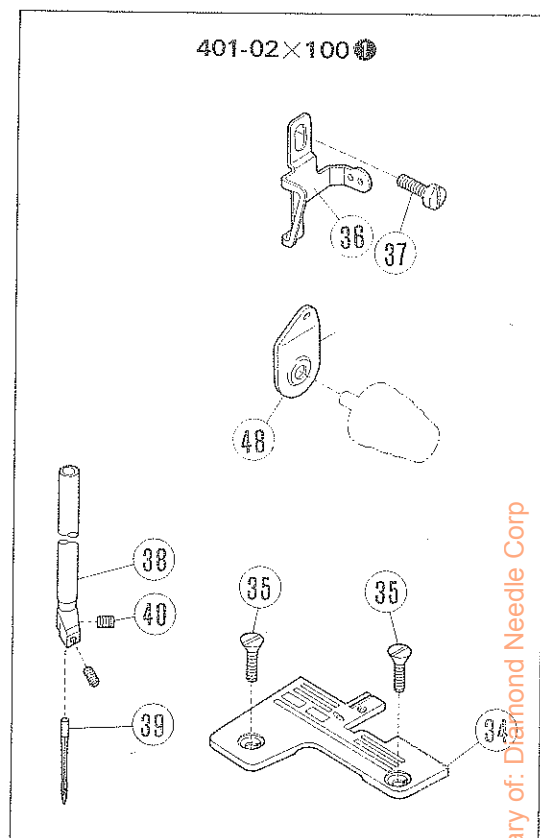
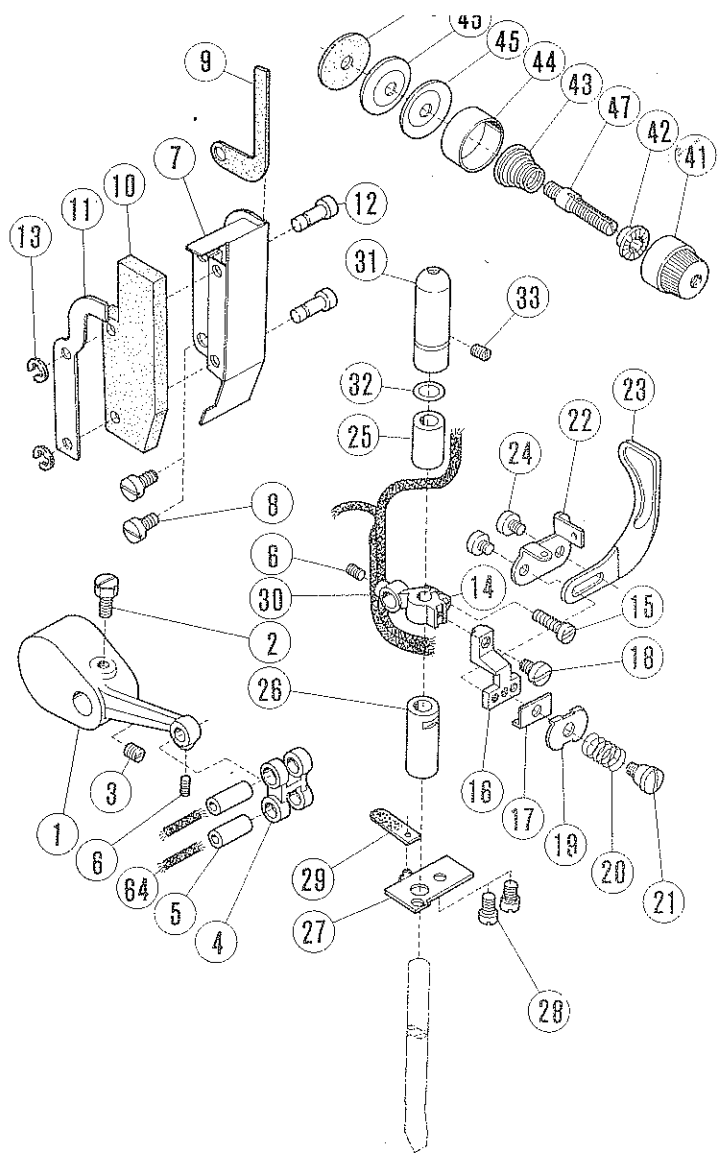


(1) NEEDLE BAR DRIVE MECHANISM

REF. NO.	PART NO.	NEW PRODUCT CODE NO.	DESCRIPTION	QT.
1	204029	323-535-205	Needle bar drive connection	1
2	5233	323-600-296	cap screw	2
3	205495	323-620-040	pin	1
4	5234	323-600-297	" screw	1
5	201360B	323-576-010	Needle bar drive crank	1
6	5381	323-600-136	clamp screw	1
7	208247	323-540-027	Needle bar drive shaft	1
8	208248	323-676-042	bushing (left)	1
9	208250	323-626-002	" " oil seal	1
10	208249	323-676-043	bushing (right)	1
11	201117	323-618-006	thrust collar	1
12	5084	323-600-013	" " screw	2
13	①② 208359	323-740-066	Needle guard bracket	1
14	①② 5117	323-600-057	screw	2
15	①② 208356	323-561-029	Needle guard (rear)	1
16	①② 5029	323-600-256	screw	2
17	①② 208357	323-561-030	Needle guard (front)	1
18	①② 5029	323-600-256	screw	1
19	② 208358	323-561-031	Needle guard (front)	1
20	② 5336	323-600-116	screw	2
21	② 204042	323-561-218	Needle guard (front)	1
22	② 5227	323-600-302	screw	2
23	③ 204160A	323-850-247	Needle guard (rear) base	1
24	1175-2	323-600-002	screw	1
25	③ 204042	323-561-218	Needle guard (front)	1
26	5227	323-600-302	screw	1
27	③ 204522	323-561-220	Needle guard (rear)	1
28	1206	323-600-021	screw (short)	1
29	5010	323-600-010	" (long)	1

From the library of: Diamond Needle Corp

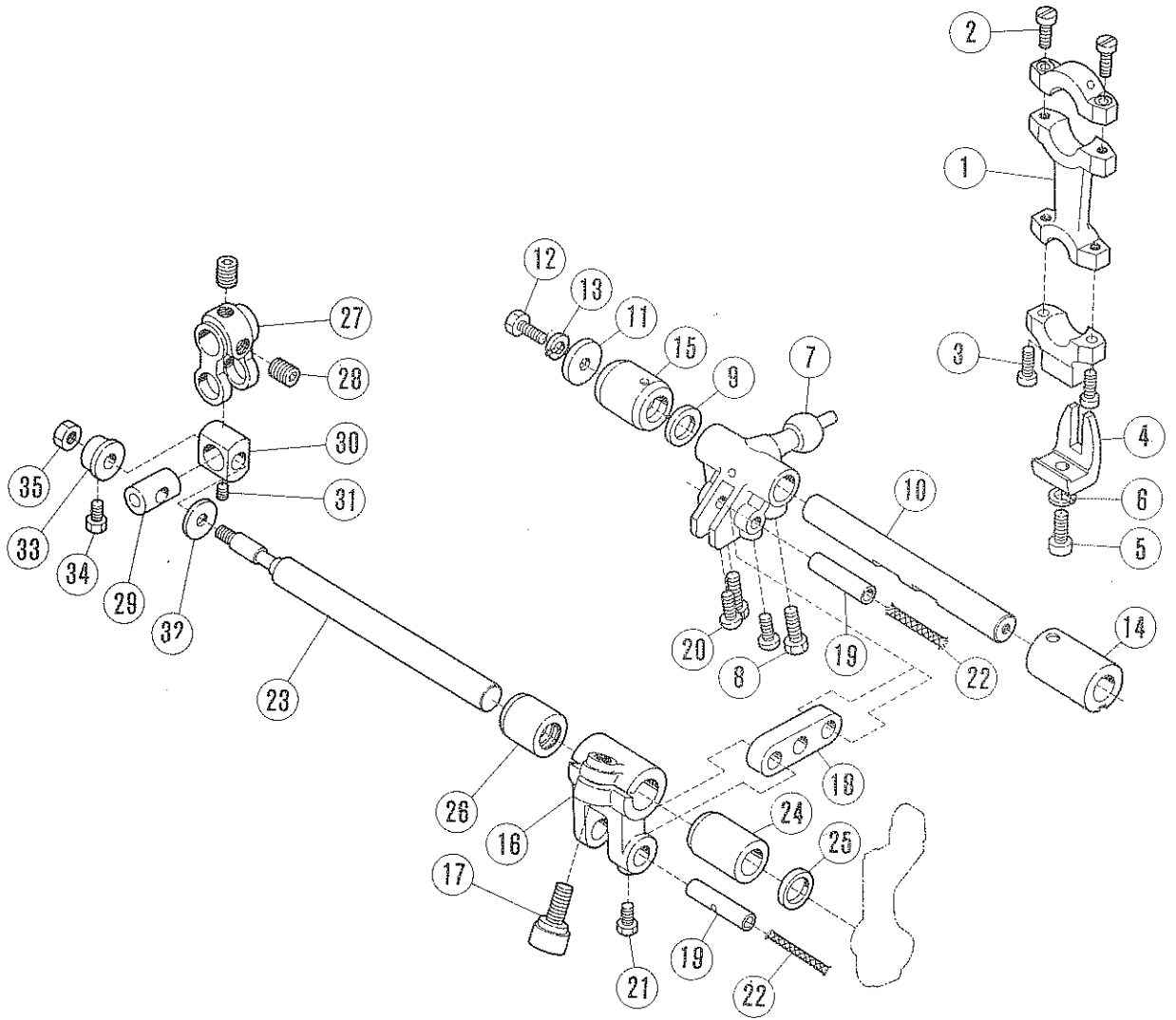
Mark	Meaning
*	Not for individual supply
①	Parts for 401-02x100 only
②	Parts for 401-02x250 only
③	Parts for 401-03x100 only



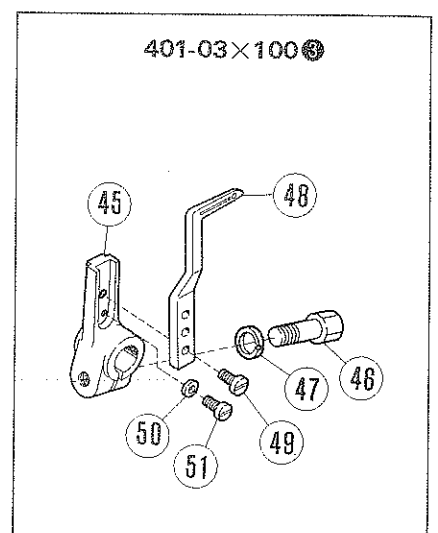
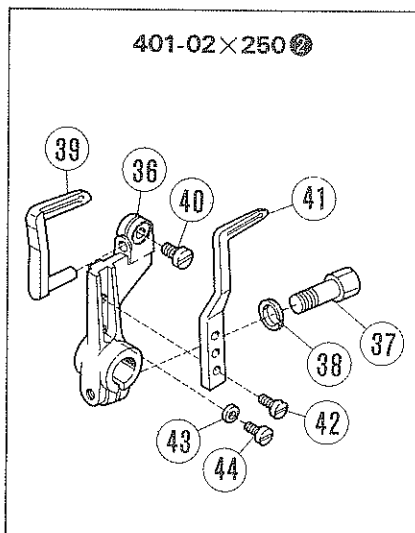
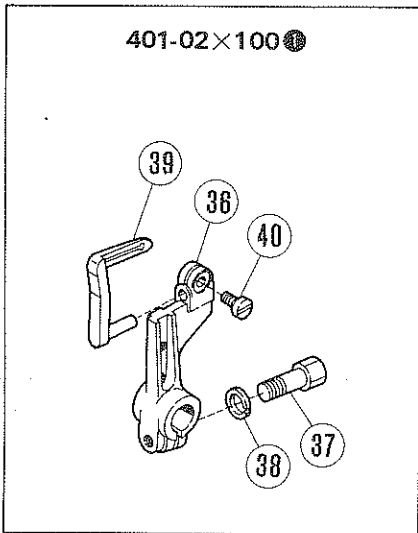
(2) NEEDLE BAR DRIVE MECHANISM

REF. NO.	PART NO.	NEW PRODUCT CODE NO.	DESCRIPTION	QT.
1	208424	323-576-017	Needle bar drive crank (left)	1
2	2022-4	323-600-022	screw (with head)	1
3	2022	323-600-043	screw	1
4	208425	323-730-012	Needle bar connecting link	1
5	200654	323-620-206	pin	2
6	5292	323-600-341	" screw	2
	208568	323-510-089	Needle bar connecting link cover, complete with 208560, 208561, 208562, 208713x2 & 200555x2	1
7	208560	323-510-090	Needle bar connecting link cover	1
8	5113	323-600-039	screw	2
9	208561	323-653-017	oil felt	1
10	208562	323-653-018	" felt	1
11	208563	323-800-062	" " plate	1
12	208713	323-620-043	" " " pin	2
13	200555	323-634-004	" " " " ring	2
14	208427	323-683-018	Needle bar clamp	1
15	1170-3	323-600-046	clamp screw	1
16	208382	323-740-067	Needle thread retainer bracket	1
17	202495	323-850-021	guide spacer	1
18	5359	323-600-091	screw	1
19	200041	323-850-221	guide	1
20	200205	323-640-203	" spring	1
21	9070-2	323-600-224	" screw	1
22	208381	323-851-027	Needle thread guide	1
23	202706A	323-866-214	Needle thread takeup	1
24	1186	323-600-246	screw	2
25	204625A	323-676-025	Needle bar bushing (upper)	1
26	204627A	323-676-263	" " " (lower)	1
27	208616	323-560-053	dust shield	1
28	5053	323-600-015	" " screw	2
29	208617	323-653-019	oil drain felt	1
30	202176	323-653-005	oil wick	1
31	208621	323-780-012	Needle bar cap	1
32	200030	323-634-204	o ring	1
33	1457	323-600-012	screw	1
34	① 208566	323-801-137	Needle plate	1
35	1732	323-600-075	screw	2
36	② 208312	323-850-062	Needle thread guide	1
37	4009-1	323-600-014	screw	1
38	② 208352	323-591-010	Needle bar complete	1
39	DMx13		Needle	1(2)
40	5292	323-600-341	screw	2
	208488	323-900-045	Needle thread tension, complete with 208447, 208448, 201037, 208450, 201482x2, 208449 & 5082A	1
41	208447	323-630-033	nut	1
42	208448	323-676-047	spring bushing	1
43	201037	323-642-001	spring (heavy)	1
44	208450	323-780-010	spring cup	1
45	201482	323-613-001	disc	2
46	208449	323-650-001	felt	1
47	5082A	323-604-201	post	1
48	③ 202849	323-800-215	guide	1
49	② 208567	323-801-138	Needle plate	1
50	② 208488	323-900-045	Needle thread tension, complete	1
	② 208491	323-900-048	Needle thread tension, complete with 208447, 208448, 201037, 208450, 201482x2, 208449 & 5143A	1
51	② 208447	323-630-033	nut	1
52	② 208448	323-676-047	spring bushing	1
53	② 201037	323-642-001	spring (heavy)	1
54	② 208450	323-780-010	spring cup	1
55	② 201482	323-613-001	disc	2
56	② 208449	323-650-001	felt	1
57	② 5143A	323-604-235	post	1
58	② 208307	323-851-024	guide	1
59	② 5137	323-630-202	post nut	1
60	② 208400	323-851-025	Needle thread guide	1
61	4009-1	323-600-014	screw	1
62	① 208628	323-801-139	Needle plate	1
63	① 204878	323-843-002	Needle bar, complete	1
64	202176	323-653-005	Needle bar connecting link pin oil felt	2

Mark	Meaning
*	Not for individual supply
①	Parts for 401-02x100 only
②	Parts for 401-02x250 only
③	Parts for 401-03x100 only



From the library of: Diamond Needle Corp

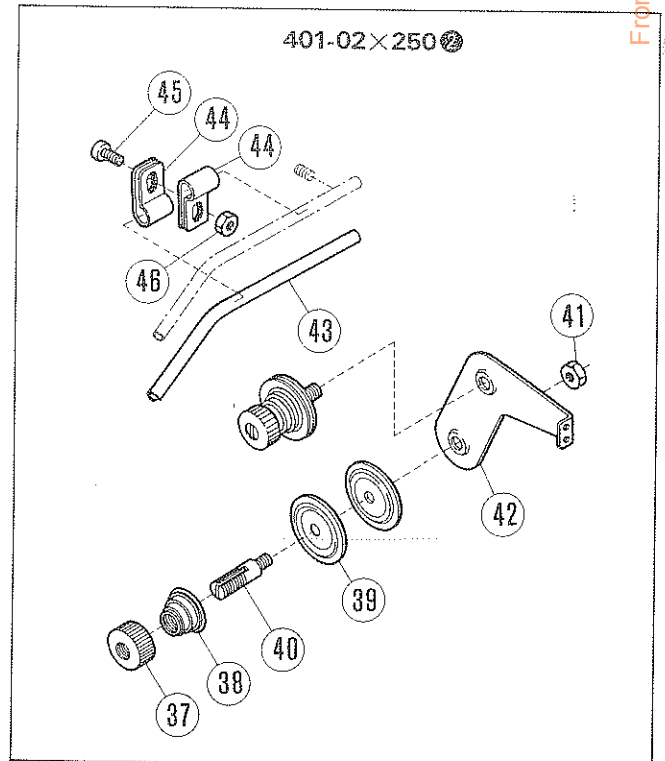
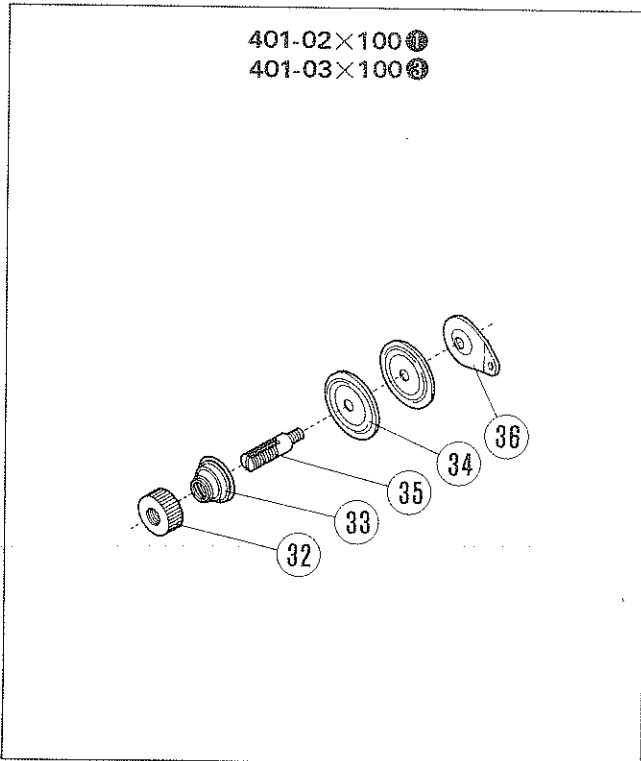
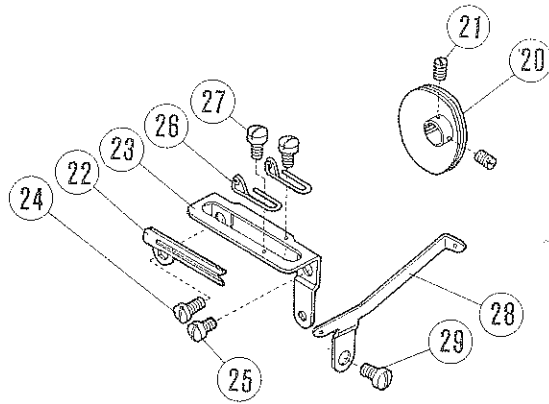
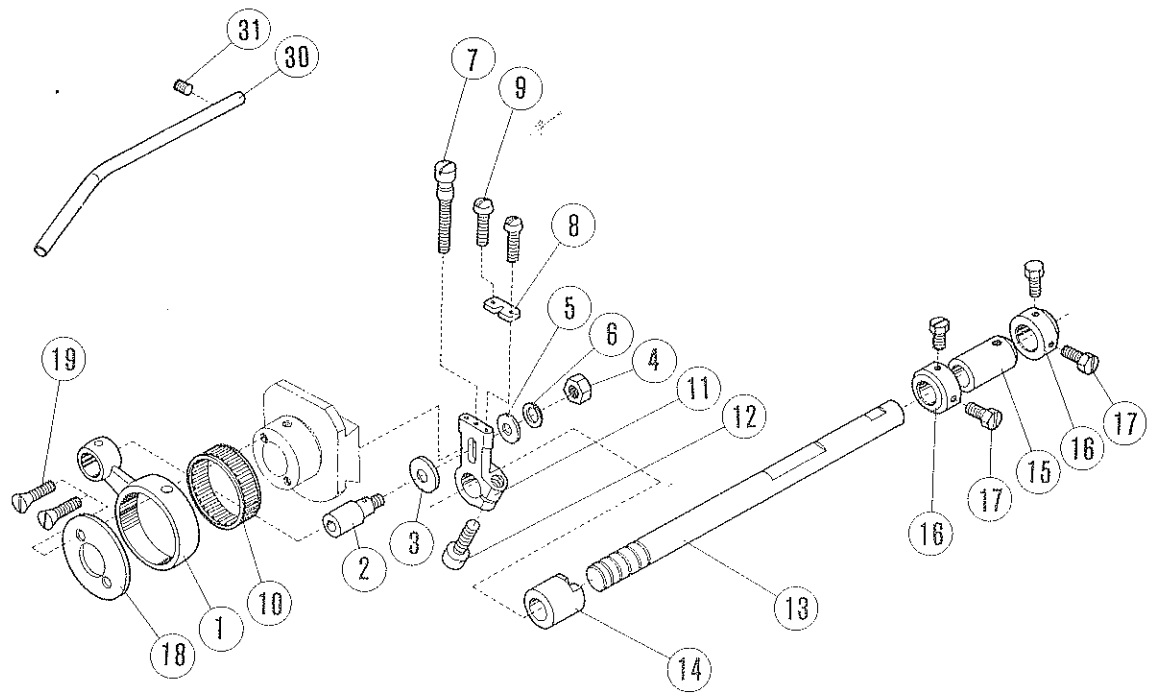


(1) LOOPER DRIVE MECHANISM

REF. NO.	PART NO.	NEW PRODUCT CODE NO.	DESCRIPTION	QT.
1	208346	323-525-013	Looper drive connection	1
2	2213-1	323-600-056	cap screw (large)	2
3	1170-1	323-600-020	" " (small)	2
4	201074A	323-850-200	guide	1
5	1156	323-600-200	" screw	1
6	202286	323-617-200	" " spring washer	1
7	208192	323-576-014	Looper lever shaft crank	1
8	2022-4	323-600-022	screw	2
9	204789	323-618-010	thrust washer	1
10	208582	323-540-036	Looper lever shaft	1
11	204107	323-618-212	thrust washer	1
12	2193	323-600-271	" " screw	1
13	202286	323-617-200	" " " washer	1
14	208293	323-676-046	bushing (front)	1
15	204054	323-676-235	" (rear)	1
16	208193	323-576-013	Looper drive crank	1
17	5381	323-600-136	clamp screw	1
18	208194	323-730-010	link	1
19	208195	323-620-033	" pin	2
20	5136	323-600-245	" " screw	2
21	5084	323-600-013	" " screw	1
22	202176	323-653-005	oil wick	2
23	208196	323-540-028	Looper drive shaft	1
24	208295	323-676-044	bushing (front)	1
25	204052A	323-626-201	" " oil seal	1
26	204081	323-676-236	" (rear)	1
27	208025	323-730-215	Looper avoiding link	1
28	5385	323-600-127	screw	2
29	208026	323-620-030	pin	1
30	208027	323-750-007	block	1
31	5292	323-600-341	" screw	1
32	208028	323-618-214	thrust washer	1
33	208029	323-680-010	collar	1
34	5084	323-600-013	" screw	1
35	5353	323-630-236	nut	1
36	①② 208361	323-530-033	Looper lever	1
37	5284	323-600-306	clamp screw	1
38	204293	323-616-200	" " spring washer	1
39	①② 208360	323-810-017	Looper (right)	1
40	5136	323-600-245	clamp screw	1
41	② 204431	323-810-219	Looper (left)	1
42	1189	323-600-301	screw	1
43	②③ 204172	323-716-208	regulator	1
44	1333	323-600-048	" screw	1
45	③ 204093	323-530-226	Looper lever	1
46	5284	323-600-306	clamp screw	1
47	204293	323-616-200	" " spring washer	1
48	③ 204314A	323-810-217	Looper	1
49	1189	323-600-301	screw	1
50	204172	323-716-208	regulator	1
51	1333	323-600-048	" screw	1

From the library of: Diamond Needle Corp

Mark	Meaning
*	Not for individual supply
①	Parts for 401-02x100 only
②	Parts for 401-02x250 only
③	Parts for 401-03x100 only

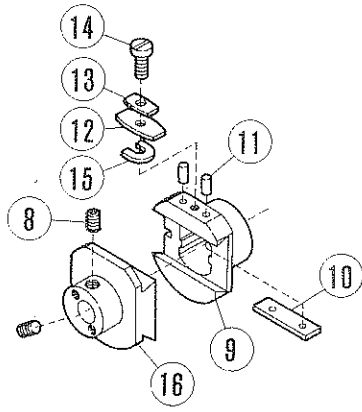
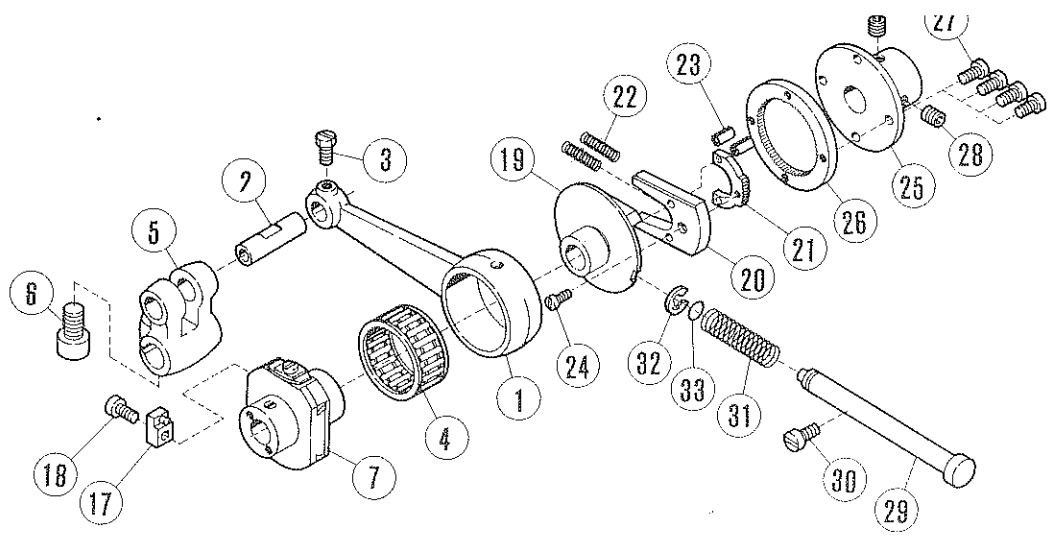


(2) LOOPER DRIVE MECHANISM

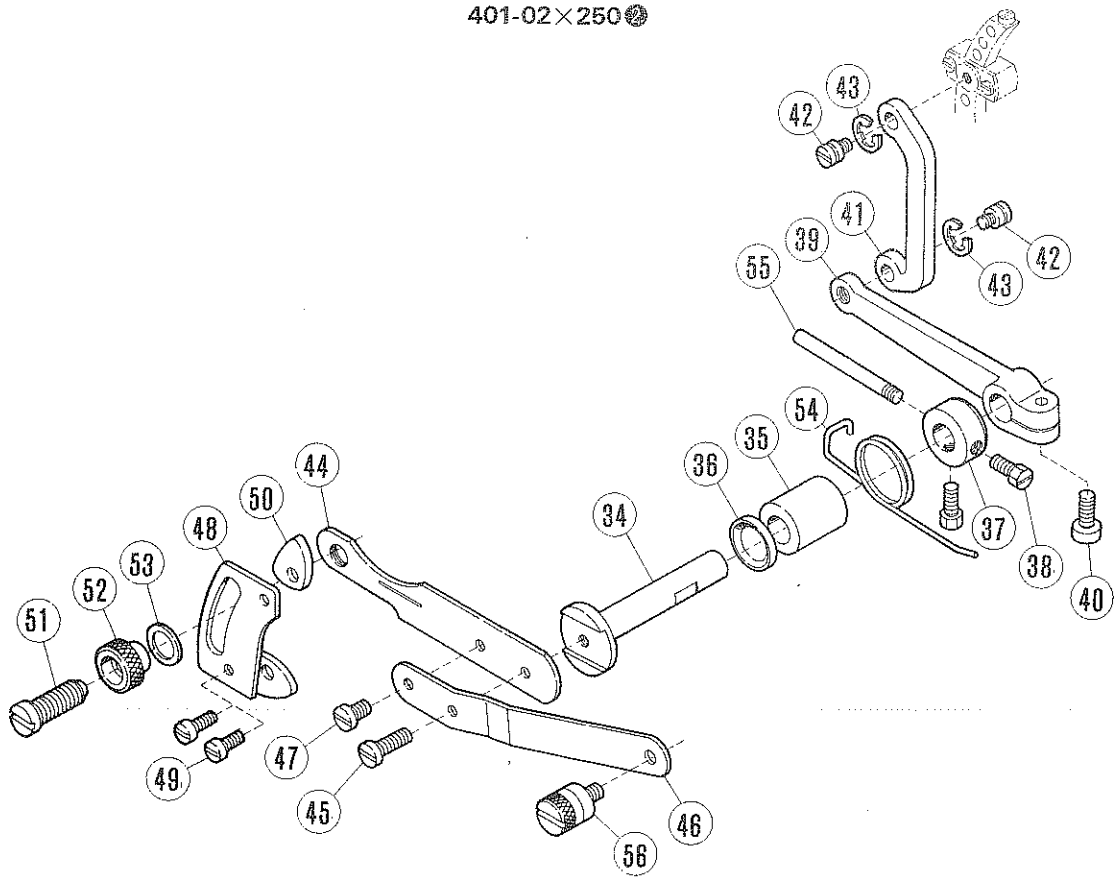
REF. NO.	PART NO.	NEW PRODUCT CODE NO.	DESCRIPTION	QT.
1	204082A	323-525-239	Looper avoiding connection	1
2	208097	323-620-032	pin	1
3	204520	323-615-233	" washer	1
4	5104	325-630-002	" nut	1
5	202433	323-615-027	" " washer	1
6	204293	323-616-200	" " spring washer	1
7	5333	323-600-358	Looper avoiding regulating screw	1
8	204518	323-625-201	plate	1
9	2922	323-600-229	" screw	2
10	204084	323-672-200	Needle bearing	1
11	204517	323-576-225	Looper avoiding crank	1
12	5381	323-600-136	clamp screw	1
13	204874	323-540-024	Looper avoiding shaft	1
14	204875	323-676-038	bushing (left)	1
15	204089	323-676-250	" (right)	1
16	201056	323-618-003	thrust collar	2
17	5084	323-600-013	" " screw	4
18	208419	323-680-012	Looper avoiding eccentric collar	1
19	5437	323-600-139	screw	2
20	204095A	323-866-213	Looper thread takeup	1
21	5292	323-600-341	screw	2
22	204096	323-850-246	Looper thread guide	1
23	204097A	323-740-032	bracket	1
24	4009-1	323-600-014	" screw (long)	1
25	5113	323-600-039	" " (short)	1
26	204324	323-860-215	eyelet	2
27	5077	323-600-307	" screw	2
28	208362	323-851-026	Looper thread guide	1
29	5113	323-600-039	screw	1
30	204099	323-851-220	tube	1
31	1457	323-600-012	" screw	1
32	① 3056	323-630-015	Looper thread tension nut	1
33	① 167077	323-642-201	spring	1
34	① 201482	323-613-001	disc	2
35	① 167072	323-604-229	post	1
36	① 202849	323-800-215	guide	1
37	② 3056	323-630-015	Looper thread tension nut	2
38	② 167077	323-642-201	spring	2
39	② 201482	323-613-001	disc	4
40	② 167072	323-604-229	post	2
41	③ 3044	323-630-001	" nut	1
42	③ 208363	323-850-059	guide	1
43	③ 204099	323-851-220	Looper thread tube	1
44	③ 206115	325-683-003	clamp	2
45	③ 2905	323-600-074	" screw	1
46	③ 3044	323-630-001	" " nut	1

From the library of: Diamond Needle Corp

Mark	Meaning
*	Not for individual supply
①	Parts for 401-02x100 only
②	Parts for 401-02x250 only
③	Parts for 401-03x100 only

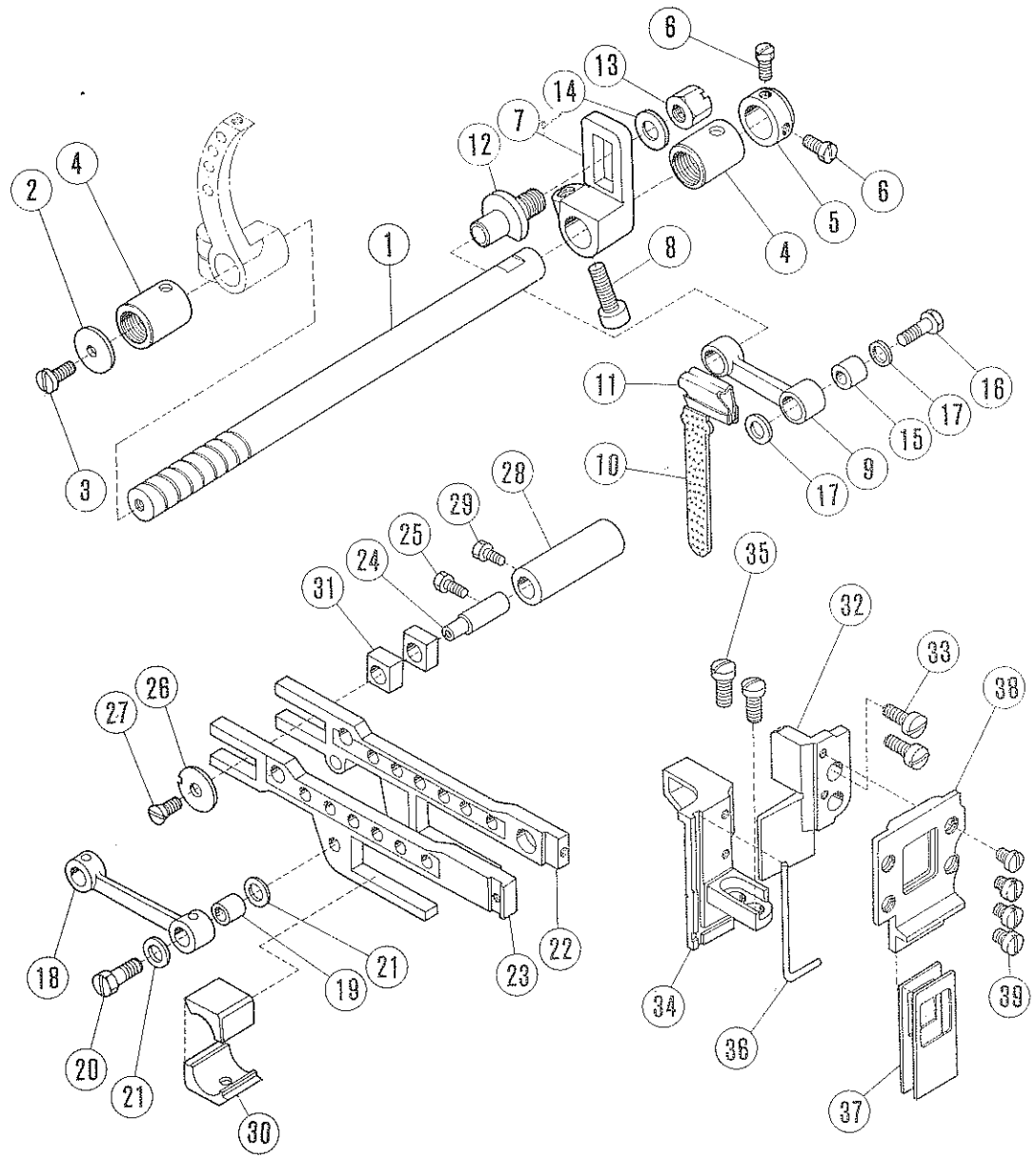


401-02×100●
401-02×250●

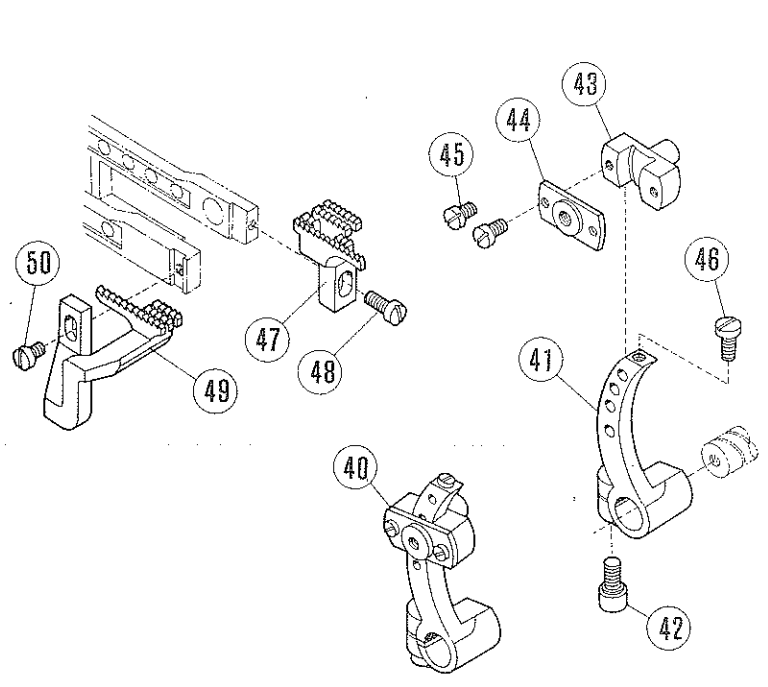


(1) MAIN AND DIFFERENTIAL FEED MECHANISM

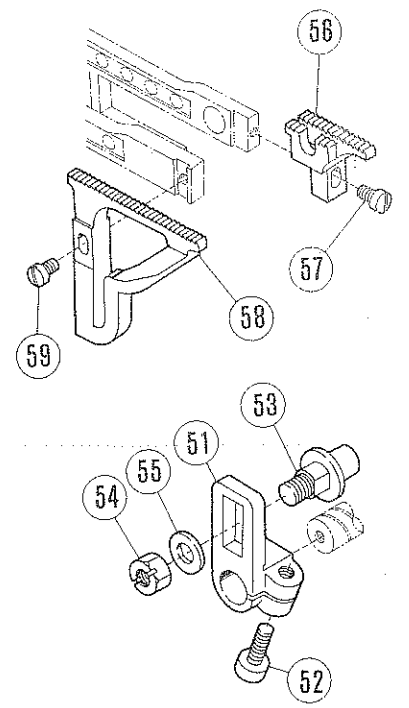
REF. NO.	PART NO.	NEW PRODUCT CODE NO.	DESCRIPTION	QT.
1	204100	323-525-232	Feed drive connection	1
2	205495	323-620-040	pin	1
3	5084	323-600-013	" screw	1
4	204084	323-672-200	needle bearing	1
5	204085	323-576-220	Feed drive crank	1
6	5381	323-600-136	clamp screw	1
7	208277	323-580-083	Feed & looper eccentric, complete with 208278, 208279, 208207, 208208, 204354x2, 208209, 1196, 208330 & 1175-3	1
8	5312	323-600-351	screw	2
9	208279	023-580-002	feed eccentric	1
10	208207	323-787-005	" " liner	1
11	204354	323-620-251	" " pin	2
12	208208	323-800-063	" " spring plate (large)	1
13	208209	323-800-064	" " " " (small)	1
14	1196	323-600-029	" " " " screw	1
15	208409	323-618-018	" " " " " washer	1
16	208278	023-580-001	looper eccentric	1
17	208330	323-625-002	feed eccentric stopper, complete	1
18	1175-3	323-600-019	" " stopper screw	1
19	208410	323-716-013	Feed eccentric regulator	1
	208411	323-900-050	Feed eccentric regulator position gear, complete with 208413, 204863x2, 208412 & 5336	1
20	208413	323-740-059	gear bracket	1
21	208412	323-764-003	gear	1
22	208415	323-640-025	spring	2
23	204863	323-620-025	pin	2
24	5336	323-600-116	screw	1
	208416	323-900-051	Feed eccentric regulator position gear ring, complete with 208417, 208418 & 5366x4	1
25	208418	323-740-060	bracket	1
26	208417	323-764-004	ring	1
27	5366	323-600-124	screw	4
28	5312	323-600-351	screw	2
29	208420	323-535-004	Feed eccentric push rod	1
30	5412	323-600-134	screw	1
31	208421	323-640-021	spring	1
32	202522	323-634-200	retaining ring	1
33	204185	323-632-201	o ring	1
34	②② 204752	323-540-017	Differential feed shaft	1
35	②② 208294	323-676-045	bushing	1
36	②② 204052A	323-626-201	oil seal	1
37	②② 204754	323-680-007	thrust collar	1
38	②② 5084	323-600-013	" " screw	2
39	②② 204139A	323-502-213	Differential feed shaft arm	1
40	②② 5381	323-600-136	clamp screw	1
41	②② 204140A	323-730-214	Differential feed link	1
42	②② 5316	323-600-347	screw, set with 202522	2
43	②② 202522	323-634-200	" retaining ring	2
44	②② 204755	323-530-011	Differential feed regulating lever (rear)	1
45	②② 5118	323-600-060	screw	1
46	②② 204883	323-530-018	lever (front)	1
47	②② 1216	323-600-068	" " screw	1
48	②② 204142B	323-800-036	" guide	1
49	②② 5118	323-600-060	" " screw	2
50	②② 204143A	323-891-200	" lift guide	2
51	②② 5321A	323-600-083	" adjust screw	1
52	②② 204870	323-630-017	" " nut	1
53	②② 202868	323-618-209	" " " washer	1
54	②② 204756	323-640-006	Differential feed regulating spring	1
55	②② 204757	323-600-102	latch screw	1
56	②② 204869	323-600-107	Knee controller chain hook latch screw	1



401-02×100Ⓢ
401-02×250Ⓢ



401-03×100Ⓢ

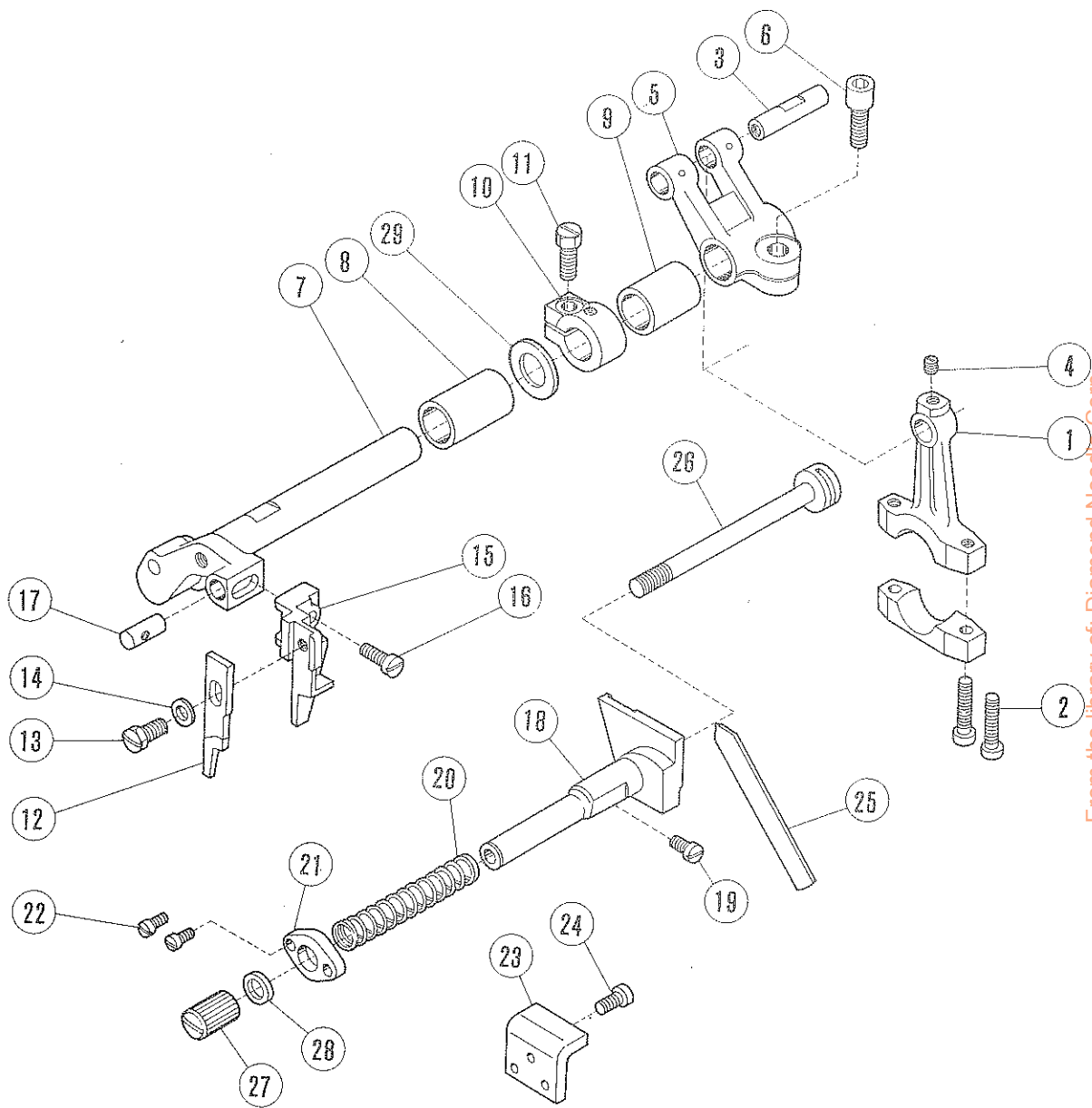


(2) MAIN AND DIFFERENTIAL FEED MECHANISM

REF. NO.	PART NO.	NEW PRODUCT CODE NO.	DESCRIPTION	QT.
1	204751	323-540-016	Feed bar shaft	1
2	204107	323-618-212	thrust washer	1
3	4009-1	323-600-014	" " screw	1
4	204054	323-676-235	bushing	2
5	201056	323-618-003	thrust collar	1
6	5084	323-600-013	" " screw	2
7	208284	323-576-019	Main feed regulating crank	1
8	5381	323-600-136	clamp screw	1
9	204111A	323-730-011	Main feed connecting link	1
10	204618	323-653-004	oil felt	1
11	204588	323-686-002	" " retainer	1
12	208285	323-620-035	pin	1
13	5455	325-630-007	" nut	1
14	208286	323-615-036	" " washer	1
15	204114	323-676-251	bushing	1
16	5231	323-600-309	" screw	1
17	204115	323-618-211	" " washer	2
18	204122	323-525-234	Diff. feed connecting link	1
19	204114	323-676-251	bushing	1
20	5231	323-600-309	" screw	1
21	204115	323-618-211	" " washer	2
22	204123A	323-593-003	Main feed bar	1
23	204124	323-593-207	Diff. feed bar	1
24	204128A	323-620-252	Feed bar hinge pin	1
25	5084	323-600-013	screw	1
26	204439A	323-615-033	washer	1
27	5317	323-600-355	" screw	1
28	204129A	323-676-261	Feed bar guide bushing	1
29	2133-1	323-600-215	screw	1
30	204810	323-750-003	Feed bar lift block (split)	1
31	201107	323-750-002	Feed bar guide block	2
32	208108	323-850-049	Feed bar guide (right), complete	1
33	5205	323-600-353	screw	2
34	208107A	323-850-050	Feed bar guide (left), complete	1
35	5205	323-600-353	screw	2
36	208168	323-663-019	gasket	1
37	208109	323-560-046	Feed bar oil splash guard	2
38	208625	323-800-069	insert plate	1
39	5346	323-600-366	screw	4
40	①②208273	323-716-011	Diff. feed regulator, complete with 208274, 208275, 208276, 5029x2 & 5141	1
41*	①②208274	023-518-001	segment	1
42	①② 5381	323-600-136	" clamp screw	1
43*	①②208275	023-750-001	block	1
44	①②208276	023-510-001	" cover	1
45	①② 5029	323-600-256	" " screw	2
46	①② 5141	323-600-087	" stop screw	1
47	①②208392	323-830-155	Main feed dog, complete	1
48	①② 1175-2	323-600-002	screw	1
49	①②208366	323-830-156	Diff. feed dog	1
50	①② 1189	323-600-301	screw	1
51	① 208755	323-576-020	Diff. feed regulating crank	1
52	① 5341	323-600-101	clamp screw	1
53	① 208285	323-620-035	pin	1
54	① 5404	323-630-032	" nut	1
55	① 208286	323-615-036	" " washer	1
56	① 208629	323-830-157	Main feed dog	1
57	① 1175-2	323-600-002	screw	1
58	① 208630	323-830-158	Diff. feed dog	1
59	① 1189	323-600-301	screw	1

Mark	Meaning
*	Not for individual supply
①	Parts for 401-02x100 only
②	Parts for 401-02x250 only
③	Parts for 401-03x100 only

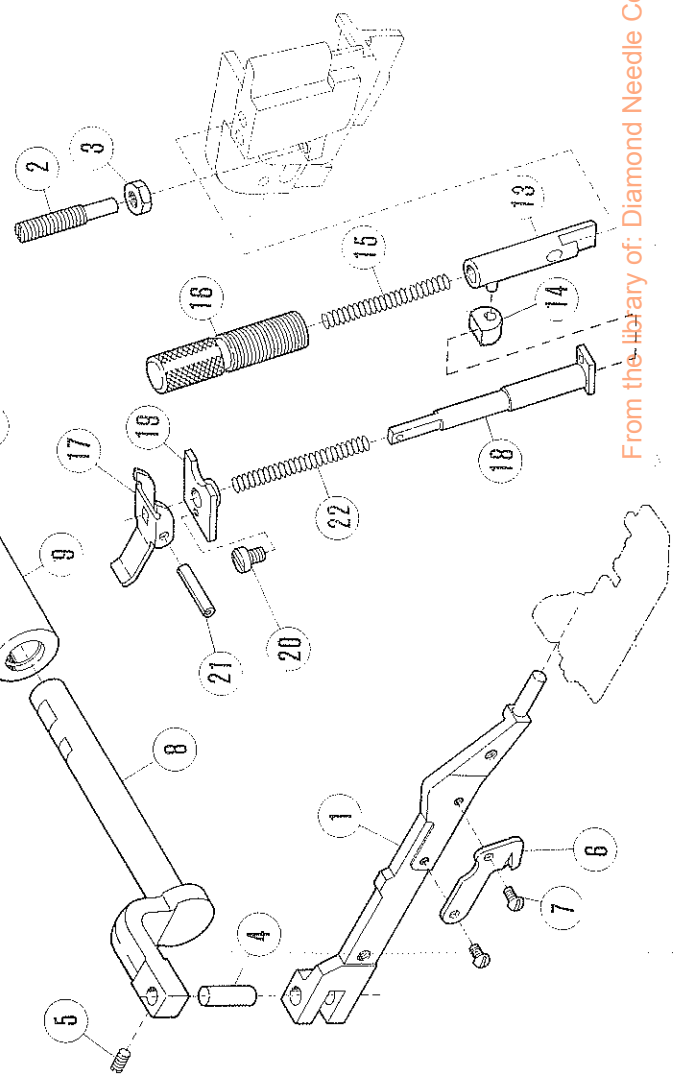
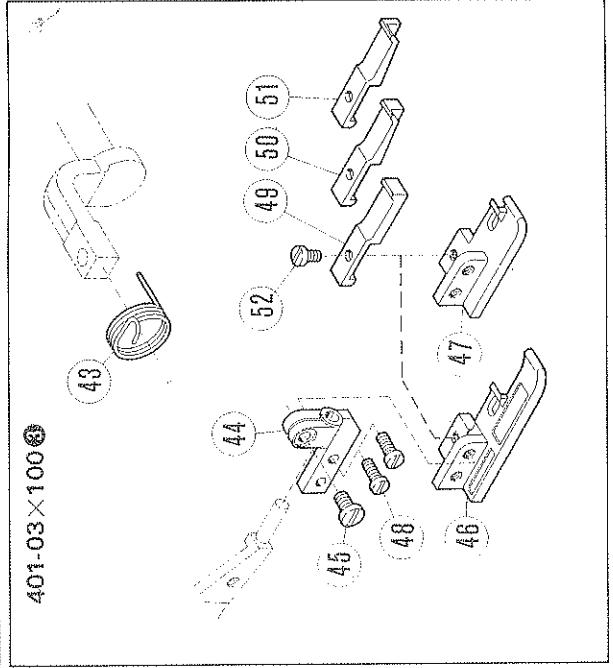
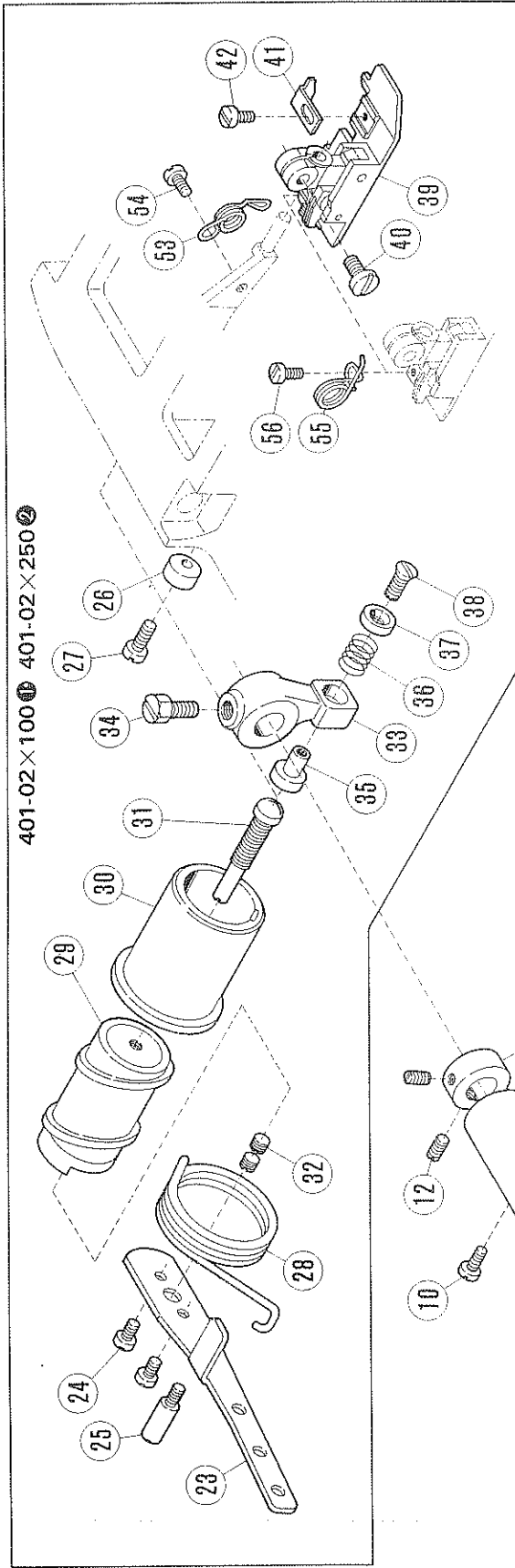
From the library of: Diamond Needle Corp



From the library of: Diamond Needle Corp

**UPPER AND LOWER KNIFE DRIVE MECHANISM
(FOR 401-02 ONLY)**

REF. NO.	PART NO.	NEW PRODUCT CODE NO.	DESCRIPTION	QT.
1	204145A	323-525-014	Upper knife drive connection	1
2	5233	323-600-296	cap screw	2
3	204146	323-620-244	pin	1
4	1458	323-600-037	" screw	1
5	204147	323-525-236	Upper knife drive crank	1
6	5381	323-600-136	clamp screw	1
7	208696	323-530-034	Upper knife lever	1
8	204149	323-676-239	bushing (left)	1
9	204150	323-680-208	" (right)	1
10	206181	325-680-009	thrust collar	1
11	5001	323-600-273	" " clamp screw	1
12	202527A	323-870-005	Upper knife	1
13	5088	323-600-044	screw	1
14	167066	323-615-211	" washer	1
15	208578	323-683-021	Upper knife clamp	1
16	5325	323-600-110	screw	1
17	208579	323-620-044	pin	1
18	208580	323-685-023	Lower knife holder	1
19	4009-1	323-600-014	screw	1
20	204158	323-640-219	spring	1
21	204159	323-625-202	" seat	1
22	5117	323-600-057	" " screw	2
23	204160A	323-850-247	guide	1
24	1175-2	323-600-002	" screw	1
25	208393	323-870-008	Lower knife	1
26	204162	323-600-331	clamp stud	1
27	5260	323-630-203	" " nut	1
28	200098	323-615-002	" " " washer	1
29	208235	323-618-017	Upper knife lever thrust washer	1



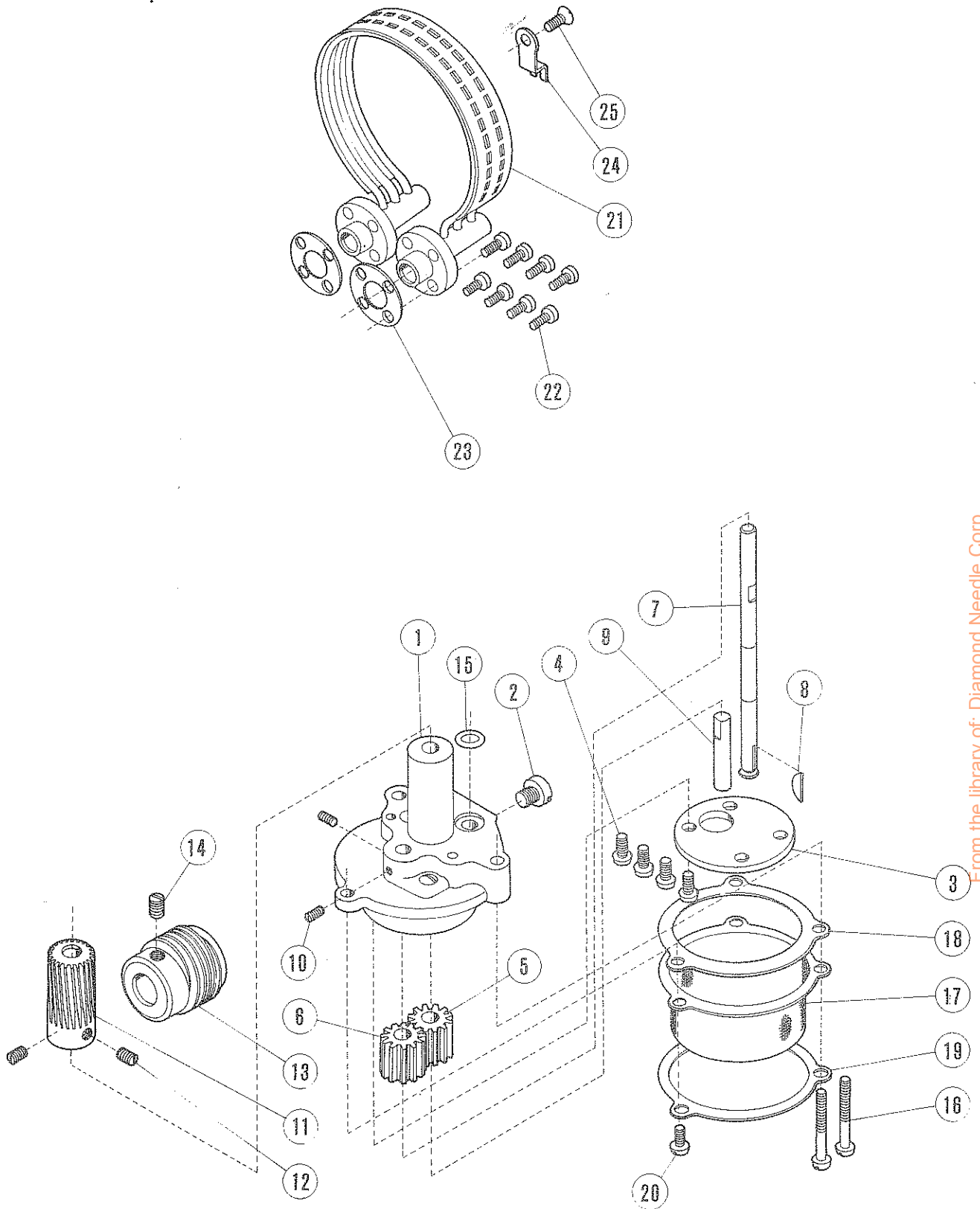
From the library of: Diamond Needle Corp

PRESSER FOOT AND LIFT MECHANISM

REF. NO.	PART NO.	NEW PRODUCT CODE NO.	DESCRIPTION	QT.
1	208526	323-502-011	Presser arm	1
2	5271	323-600-141	lift regulating screw	1
3	3044	323-630-001	" " nut	1
4	208549	323-620-042	hinge pin	1
5	5167	325-600-011	" " screw	1
6	201308	323-873-001	Chaincutter knife	1
7	1333	323-600-048	screw	2
8	208534	323-540-031	Foot lift lever shaft	1
9	208535	323-676-050	bushing, complete	1
10	2133-1	323-600-215	bushing screw	1
11	201056	323-618-003	collar	1
12	1457	323-600-012	" screw	2
13	208537	323-592-001	Presser bar, complete	1
14	208771	323-850-060	guide	1
15	208540	323-640-023	Presser bar spring	1
16	208615	323-600-142	Pressure regulating thumb screw	1
17	208598	323-530-031	Hand lift lever	1
18	202645	323-629-201	spring plunger	1
19	208599	323-676-053	" " bushing	1
20	5029	323-600-256	" " " screw	1
21	202647A	323-620-239	hinge pin	1
22	201395	323-640-228	spring	1
23	①② 204177B	323-530-016	Foot lift lever	1
24	①② 1202	323-600-032	screw	2
25	①② 5232	323-600-314	stop screw	1
26	①② 202683	323-716-209	regulator	1
27	①② 5118	323-600-060	" screw	1
28	①② 204178	323-640-220	spring	1
29	①② 204929	323-710-003	Foot lift cam	1
30	①② 204930	323-676-039	bushing	1
31	①② 208316	323-604-018	regulating screw stud	1
32	①② 2913-2	323-600-316	" " " stop screw	2
33	①② 208313	323-530-029	Foot lift intermediate lever	1
34	①② 2022-4	323-600-022	screw	1
35	①② 208314	323-620-036	pin	1
36	①② 208315	323-640-024	" spring	1
37	①② 202757A	323-617-002	" washer	1
38	①② 5317	323-600-355	" screw	1
39	①② 208572	323-820-044	Presser foot, complete	1
40	①② 5136	323-600-245	clamp screw	1
41	①② 208575	323-560-058	fabric guard	1
42	①② 1231	323-600-051	" " screw	1
43	③ 208637	323-640-029	Presser foot lift spring	1
44	③ 208636	323-740-068	Presser foot bracket	1
45	③ 5136	323-600-245	clamp screw	1
46	⑤ 208767	323-820-045	Presser foot (long) — for 401-03x100L	1
47	⑤ 208632	323-820-046	Presser foot (short) — for 401-03x100S	1
48	⑤ 1196	323-600-029	screw	2
49	⑤ 208768	323-586-001	shoe — 3 & 4mm binding finished size	1
50	⑤ 208769	323-586-002	shoe — 5 & 6mm binding finished size	1
51	⑤ 208770	323-586-003	shoe — 7 & 8mm binding finished size	1
52	⑤ 1229	323-600-016	shoe screw	1
53	①② 208529	323-640-022	Presser foot spring	1
54	③ 2921	323-600-026	screw	1
55	①② 208374	323-640-030	Presser foot shoe spring	1
56	③ 1231	323-600-051	screw	1

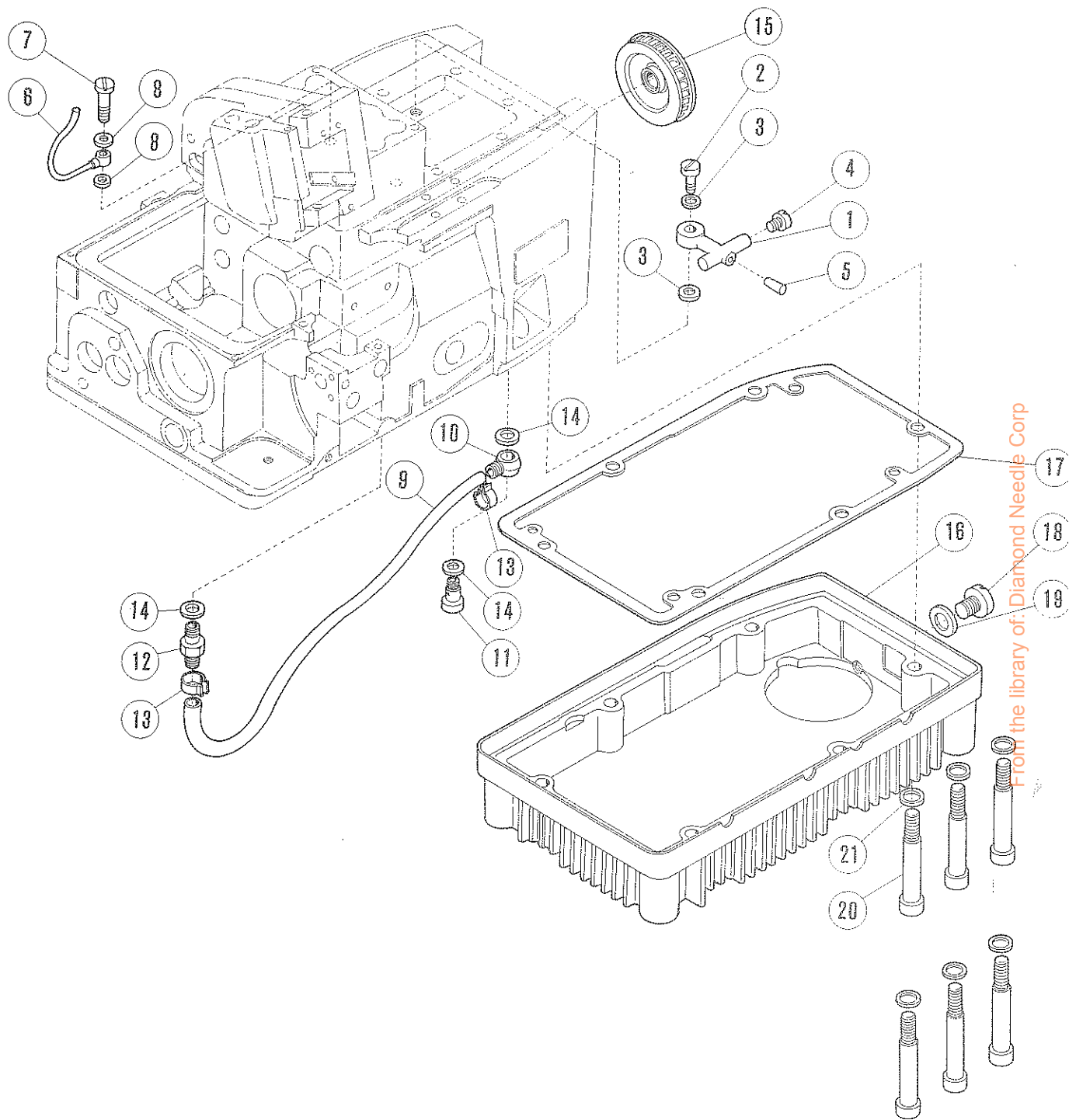
From the library of: Diamond Needle Corp

Mark	Meaning
*	Not for individual supply
①	Parts for 401-02x100 only
②	Parts for 401-02x250 only
③	Parts for 401-03x100 only



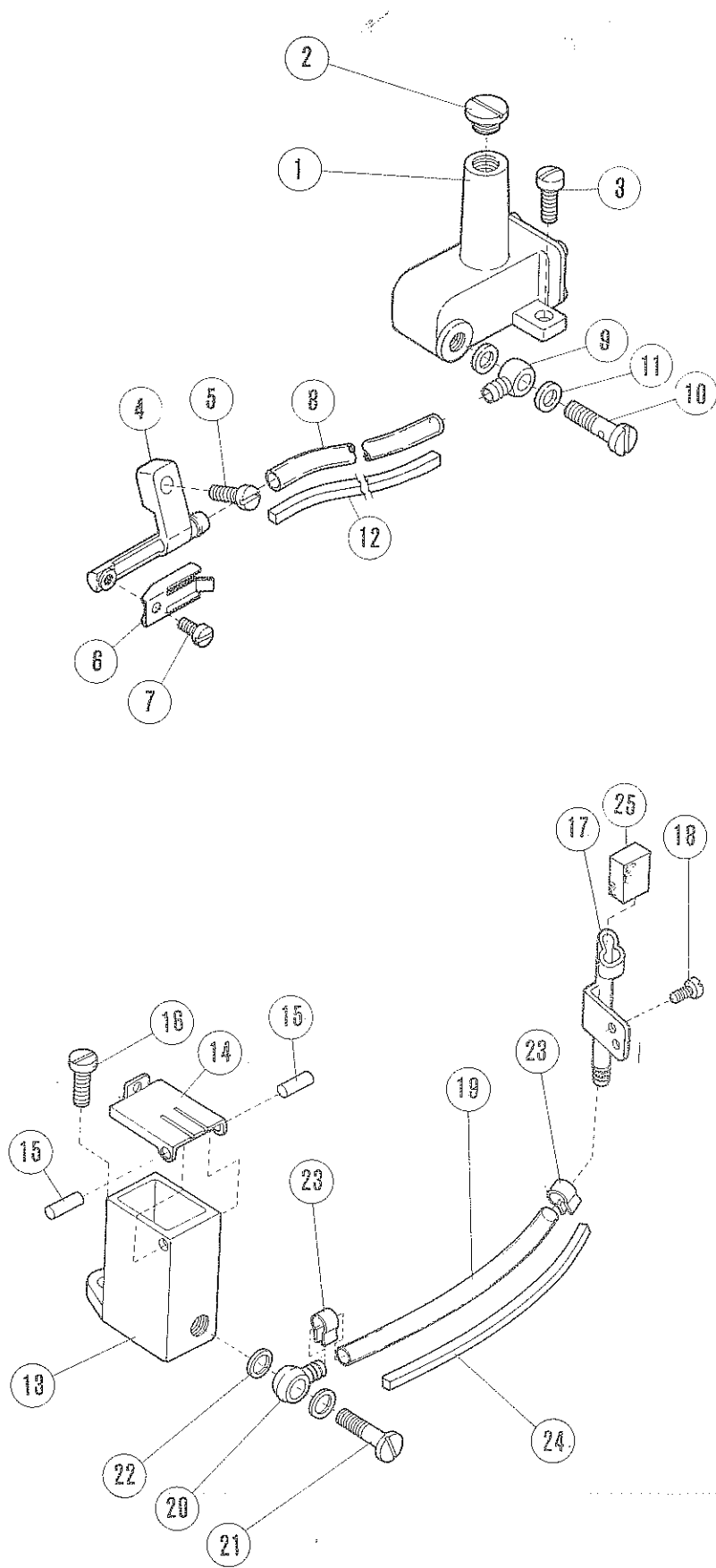
(1) PUMP LUBRICATING MECHANISM

REF NO.	PART NO.	NEW PRODUCT CODE NO.	DESCRIPTION	QT.
	204593	323-900-012	Gear pump, complete (includes parts of Ref. Nos. 1-12)	1
1	204180	323-515-203	Gear pump housing, complete	1
2	5145	323-600-326	Gear pump housing oil plug screw	1
3	201293A	323-800-006	Gear pump casing plate	1
4	5117	323-600-057	screw	4
5	201294	323-764-001	Pump gear (right)	1
6	201295	323-764-002	Pump gear (left)	1
7	204183	323-540-237	Pump gear shaft (long), set with 201009	1
8	201009	323-649-001	key	1
9	204184	323-540-236	Pump gear shaft (short)	1
10	1458	323-600-037	screw	2
11	204187	323-570-204	Worm wheel	1
12	5060	323-600-004	screw	2
13	204186	323-570-203	Worm	1
14	2022	323-600-043	screw	1
15	204185	323-632-201	Gear pump outlet 'o' ring	1
16	5094	323-600-072	Gear pump housing screw	2
17	201338	323-655-002	Oil screen filter	1
18	201311	323-663-001	gasket	1
19	201341	323-508-002	frame	1
20	5117	323-600-057	screw	1
21	204188	323-902-020	Oil cooler assembly	1
22	5117	323-600-057	screw	8
23	204192	323-663-211	gasket	2
24	204189	323-683-214	clamp	1
25	3001	323-600-059	" screw	1



(2) PUMP LUBRICATING MECHANISM

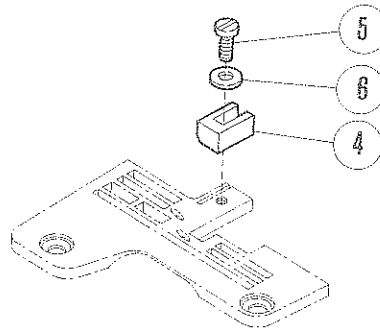
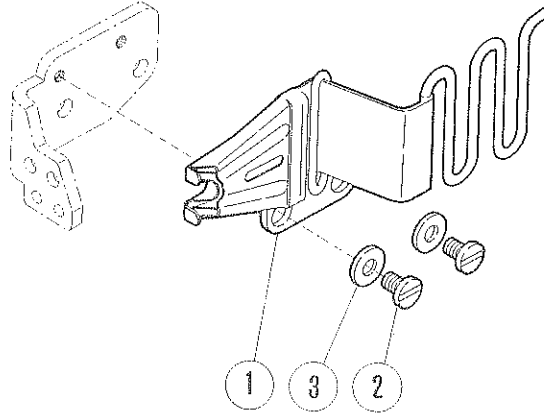
REF. NO.	PART NO.	NEW PRODUCT CODE NO.	DESCRIPTION	QT.
1	204193	323-639-232	Oil distributor	1
2	200152	323-604-209	screw	1
3	200138	323-615-209	" washer	2
4	201323	323-600-062	oil splash screw	1
5	202903	323-627-208	" plug	1
6	204194	323-639-233	Oil splash pipe, complete	1
7	201758	323-600-064	screw	1
8	201759	323-615-010	" washer	2
9	200140A	323-639-036	Oil tube	1
10	200136	323-636-200	joint	1
11	200152	323-604-209	" stud	1
12	204196	323-736-200	joint	1
13	200155	323-685-213	clamp	2
14	200138	323-615-209	joint washer	3
15	204198	323-568-202	Oil cooling fan	1
16	208260	323-713-003	Oil pan	1
17	208318	323-663-023	gasket	1
18	5138B	323-600-354	Oil drain plug screw	1
19	202287A	323-615-229	washer	1
20	5150B	323-605-006	Oil pan bolt	6
21	204806	323-615-029	gasket	6



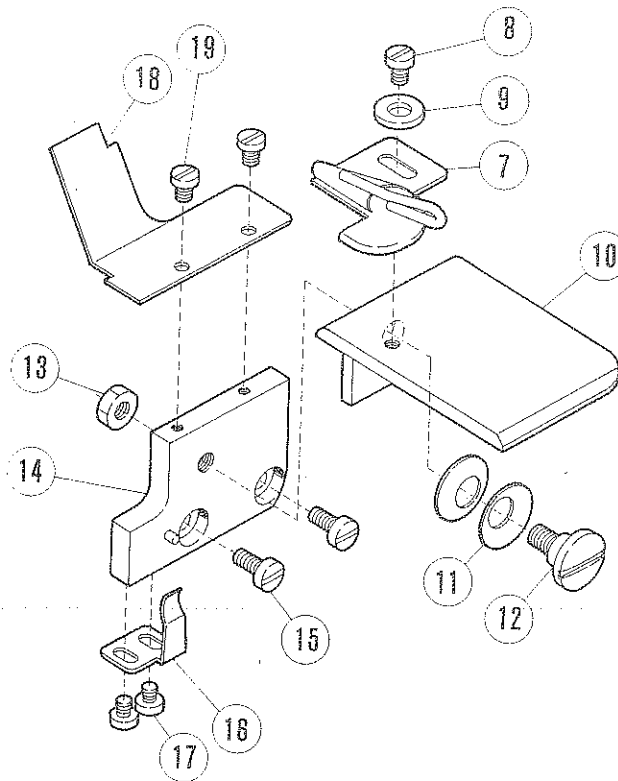
**NEEDLE AND THREAD LUBRICATOR
(FOR 401-02 ONLY)**

REF. NO.	PART NO.	NEW PRODUCT CODE NO.	DESCRIPTION	QT.
1	208308	323-658-005	Silicone lubricant reservoir (upper), complete	1
2	5242	323-600-143	oil filler screw	1
3	5118	323-600-060	screw	1
4	208486	323-652-004	Thread lubricator	1
5	5345	323-600-096	screw	1
6	208487	323-800-065	plate	1
7	5012	323-600-255	" screw	1
8	204921	323-639-239	lubricant pipe	1
9	200137	323-604-222	" " joint screw	1
10	200136	323-636-200	" " joint	1
11	200138	323-615-209	" " " washer	2
12	204270	323-653-006	" " oil felt	2
	204860	323-658-004	Silicone lubricant reservoir (lower), complete with 204861, 204862 & 204863x2	1
13	204861	323-658-003	Silicone lubricant reservoir (lower)	1
14	204862	323-510-035	cap cover	1
15	204863	323-620-025	" " hinge pin	2
16	5117	323-600-057	screw	1
17	208387	323-652-005	Needle lubricator	1
18	1206	323-600-021	screw	1
19	204921	323-639-239	lubricant pipe	1
20	200136	323-636-200	" " joint	1
21	200137	323-604-222	" " " screw	1
22	200138	323-615-209	" " " washer	2
23	200155	323-685-213	" " clamp	2
24	204270	323-653-006	" " oil felt (long)	1
25	204466	323-653-008	oil felt (short)	1

401-02×100 ①
401-02×250 ②



401-03×100 ③

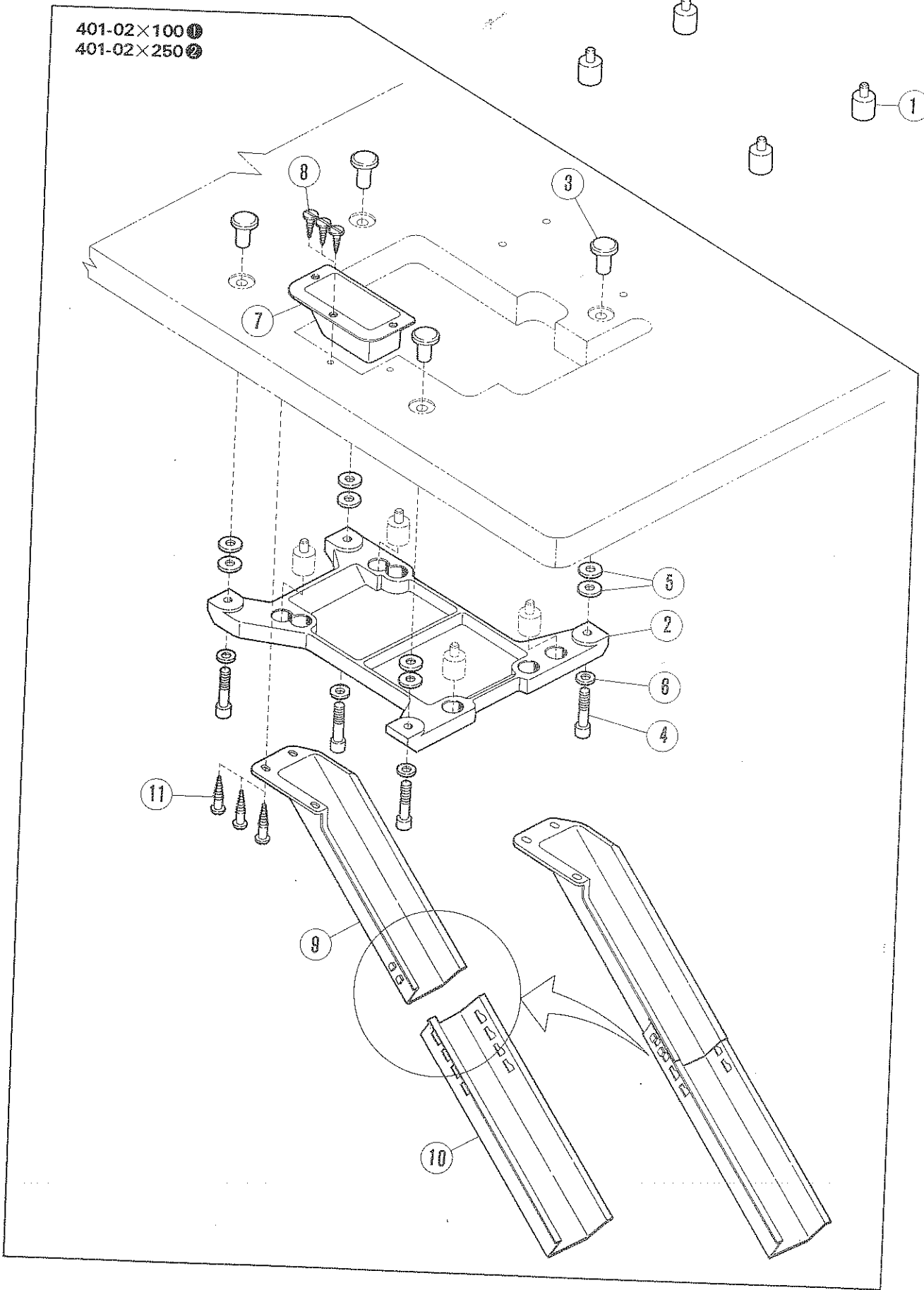


ATTACHMENT

REF. NO.	PART NO.	NEW PRODUCT CODE NO.	DESCRIPTION	QT.
1	① 208389	323-450-001	Tape binder, complete for tape width 28mm	1
	② 208390	323-450-002	Tape binder, complete for tape width 24mm (Option for 401-02x100)	1
2	①② 1216	323-600-068	screw	2
3	①② 137906	323-615-018	" washer	2
4	①② 208569	323-850-061	Tape guide	1
5	①② 2918	323-600-073	screw	1
6	①② 202875	323-615-216	" washer	1
7	③ 208638	323-400-011	Folder, complete	1
8	③ 1216	323-600-068	screw	1
9	③ 137142	323-615-017	" washer	1
10	③ 208642	323-740-069	Folder bracket	1
11	③ 204888	323-618-019	spring washer	2
12	③ 5380	323-604-019	screw stud	1
13	③ 5104	325-630-002	" " nut	1
14	③ 208643	323-505-017	Folder bracket base	1
15	③ 5117	323-600-057	screw	2
16	③ 202689	323-641-201	spring	1
17	③ 1234	323-600-006	" screw	2
18	③ 208646	323-774-004	Chip chute	1
19	③ 2921	323-600-026	screw	2

From the library of: Diamond Needle Corp

Mark	Meaning
*	Not for individual supply
①	Parts for 401-02x100 only
②	Parts for 401-02x250 only
③	Parts for 401-03x100 only



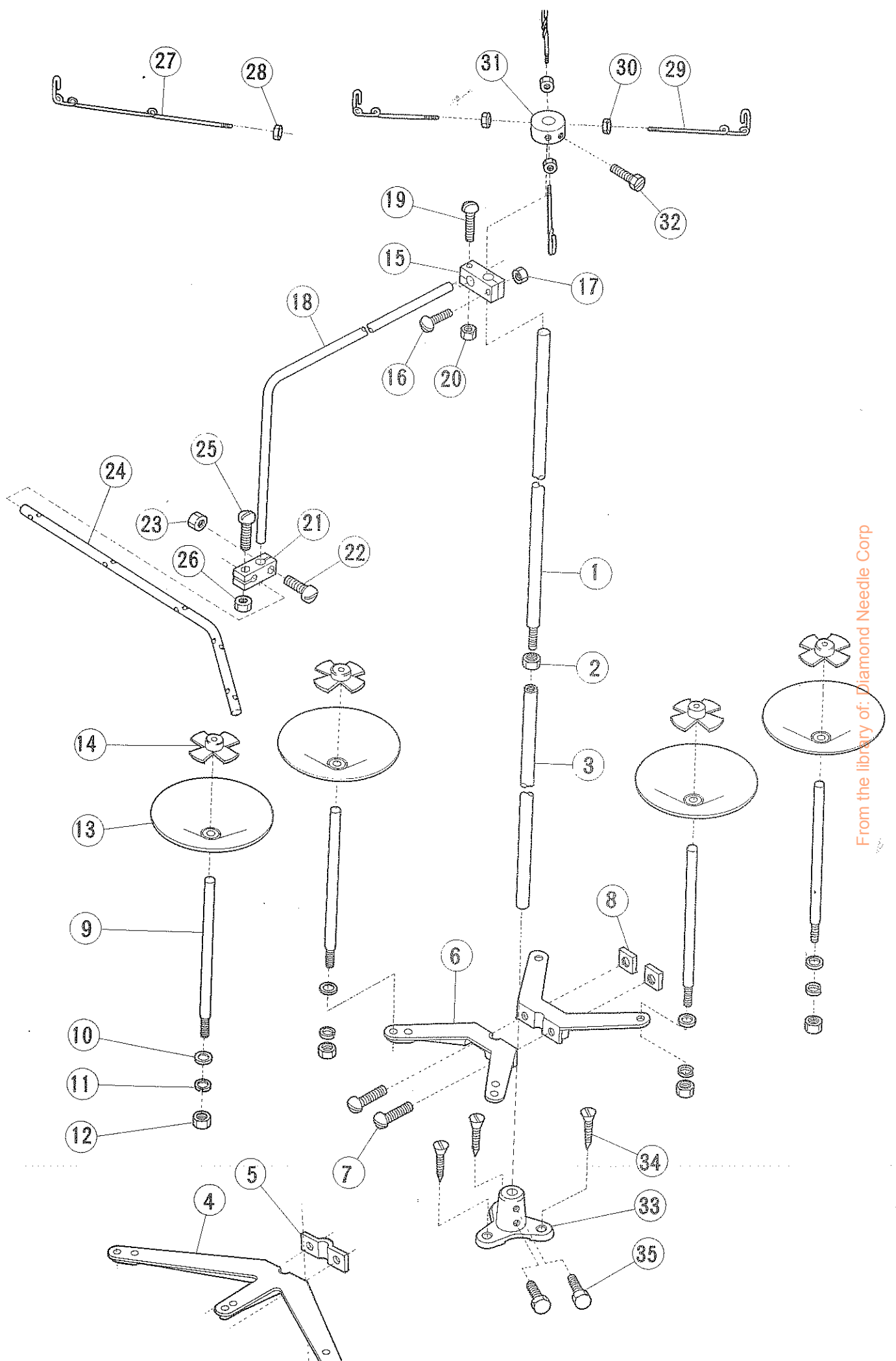
From the library of: Diamond Needle Corp

ACCESSORIES FOR SEMI-SUBMERGED INSTALLATION

REF. NO.	PART NO.	NEW PRODUCT CODE NO.	DESCRIPTION	QT.
1	205473	323-945-014	Cushion rubber	4
2	①② 205466	323-945-011	Machine rest board	1
3	①② 206336	325-630-004	hanger bolt nut	4
4	①② 5439	323-605-008	" bolt	4
5	①② 205467	323-646-006	" " spacer	8
6	①② 202769	323-615-219	" " washer	4
7	①② 205470	323-740-062	Waste chute top	1
8	①② 175	323-600-321	screw	3
9	①② 205468	323-774-002	Waste chute	1
10	①② 205469	323-774-003	Waste chute extension	1
11	①② 5019	323-600-274	screw	3

From the library of: Diamond Needle Corp

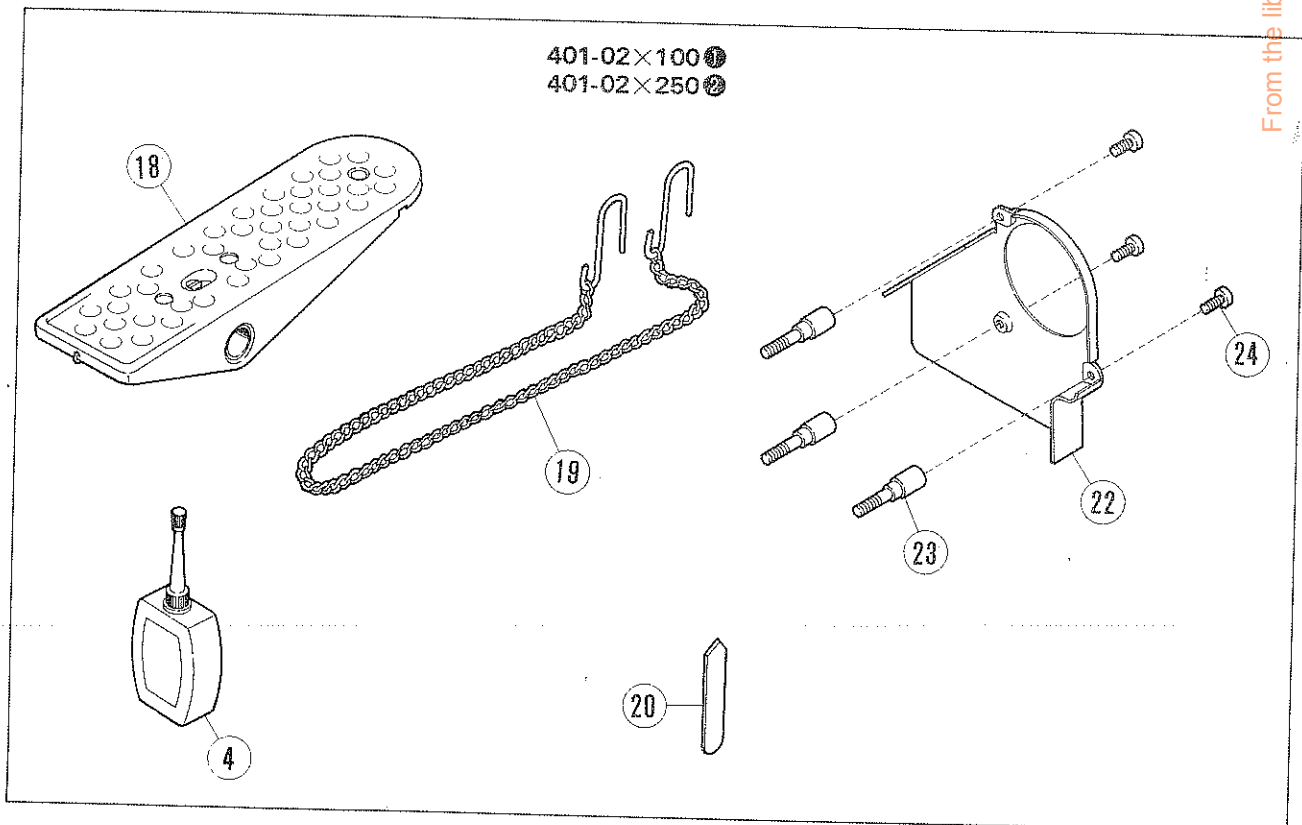
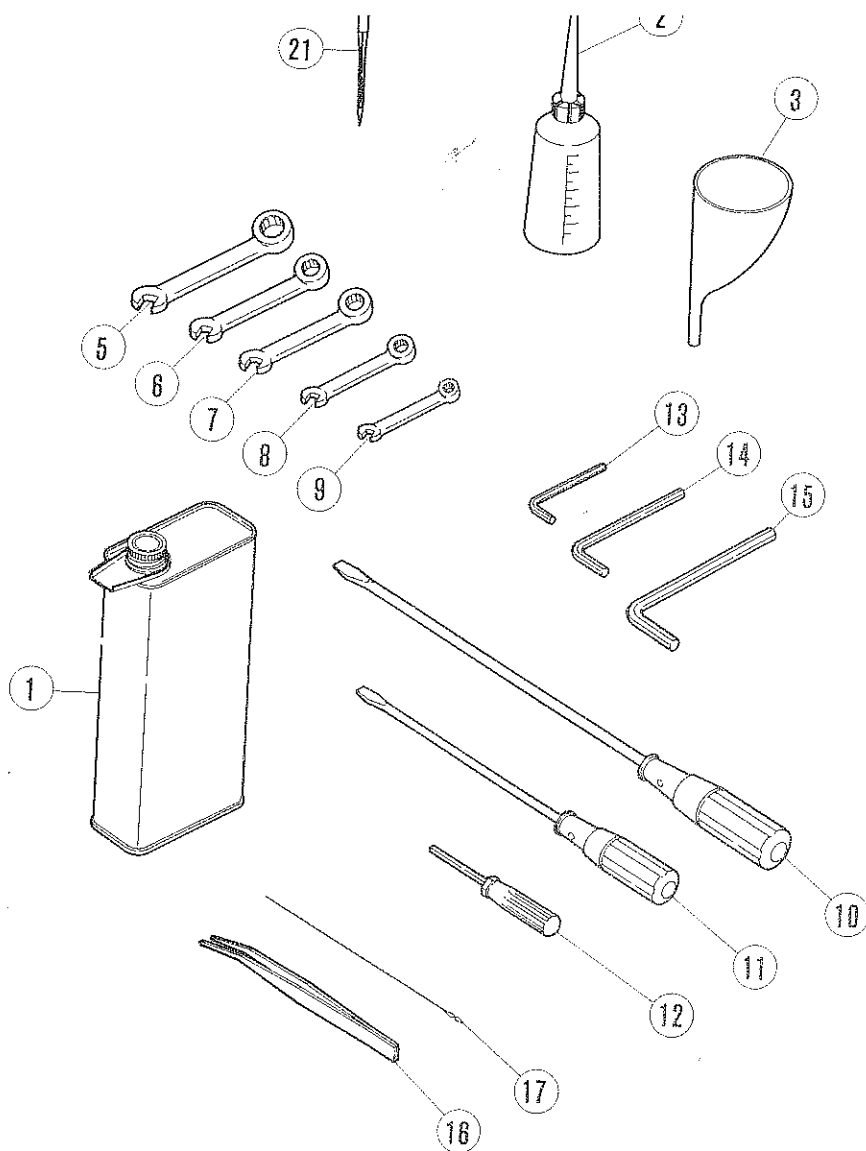
Mark	Meaning
*	Not for individual supply
①	Parts for 401-02x100 only
②	Parts for 401-02x250 only
③	Parts for 401-03x100 only



THREAD STAND

REF. NO.	PART NO.	NEW PRODUCT CODE NO.	DESCRIPTION	QT. SPOOLS	
				3	4
	①③ 288	323-940-003	Thread stand, complete — 3 spools	1	—
	② 289	323-940-004	" stand, complete — 4 spools	—	1
1	216	323-535-001	Thread stand upper rod	1	1
2	217	323-600-118	nut	1	1
3	218	323-535-002	Thread stand lower rod	1	1
4	①③ 219	323-740-035	Spool pin bracket	1	—
5	①③ 243	323-800-041	clamp plate	1	—
6	② 220	323-740-036	Spool pin bracket	—	2
7	221	323-600-119	clamp screw	2	2
8	222	323-630-018	" " nut	2	2
9	223	323-620-024	Spool pin	3	4
10	224	323-615-028	washer	3	4
11	225	323-617-001	nut spring washer	3	4
12	226	323-630-019	nut	3	4
13	227	323-685-013	Spool tray	3	4
14	228	323-850-031	Spool retaining fin	3	4
15	229	323-740-034	Thread guide bar rod bracket	1	1
16	230	323-600-120	clamp screw	1	1
17	231	323-630-020	" " nut	1	1
18	292	323-535-005	Thread guide bar rod	1	1
19	230	323-600-120	screw	1	1
20	231	323-630-020	" nut	1	1
21	233	323-750-006	Thread guide rod retaining block	1	1
22	300	323-600-369	clamp screw	1	1
23	231	323-630-020	" " nut	1	1
24	293	323-590-004	Thread guide bar	1	1
25	230	323-600-120	clamp screw	1	1
26	231	323-630-020	" " nut	1	1
27	①③ 235	323-851-020	Thread guide wire (long)	2	—
28	①③ 236	323-630-021	lock nut	2	—
29	237	323-851-021	Thread guide wire (short)	1	4
30	236	323-630-021	lock nut	1	4
31	①③ 260	323-685-016	Thread guide wire holder	1	—
	② 261	323-685-017	" " " holder	—	1
32	239	323-600-121	screw	1	1
33	240	323-505-009	Thread stand base	1	1
34	241	323-600-122	wooden screw	3	3
35	242	323-600-123	Thread stand lower rod screw	2	2

Mark	Meaning
*	Not for individual supply
①	Parts for 401-02x100 only
②	Parts for 401-02x250 only
③	Parts for 401-03x100 only



From the library of: Diamond Needle Corp

ACCESSORIES

REF. NO.	PART NO.	NEW PRODUCT CODE NO.	DESCRIPTION	QT.
1	134	323-945-015	Oil container (750cc)	1
2	132	323-659-200	Oiler	1
3	135A	323-945-003	Oil funnel	1
4	①② 178	323-945-007	Silicone lubricant container (50cc)	1
5	286	323-880-014	Wrench (9.5mm)	1
6	285	323-880-013	" (8mm)	1
7	284	323-880-012	" (7mm)	1
8	283	323-880-011	" (6mm)	1
9	282	323-880-010	" (5mm)	1
10	127	323-885-001	Screwdriver (large)	1
11	128	323-885-002	" (medium)	1
12	179	323-885-200	Allen wrench	1
13	182	323-880-214	Allen key (3.19mm)	1
14	200	323-880-005	" " (4.76mm)	1
15	272	323-880-016	" " (6.0mm)	1
16	131	323-886-001	Tweezers	1
17	153	323-660-200	Threading wire	1
18	①② 245	323-533-005	Treadle, complete	1
19	①② 126	323-732-001	Treadle chain	1
20	①② 208393	323-870-008	Lower knife	2
21	DM x 13		Needle, type DMx13	10
22	①② 205216	323-945-005	Belt guard	1
23	①② 205217	323-600-117	fixing screw	3
24	①② 5117	323-600-057	screw	3

From the library of: Diamond Needle Corp

Mark	Meaning
*	Not for individual supply
①	Parts for 401-02x100 only
②	Parts for 401-02x250 only
③	Parts for 401-03x100 only

CROSS REFERENCE INDEX
(part numbers vs new product code numbers)

OLD NO.	NEW PRODUCT CODE NO.	PAGE	REF NO.	OLD NO.	NEW PRODUCT CODE NO.	PAGE	REF NO.	OLD NO.	NEW PRODUCT CODE NO.	PAGE	REF NO.
DMX13											
126	323-732-001	39	21	1189	323-600-301	15	42	5029	323-600-256	21	45
127	323-885-001	39	19	1189	323-600-301	15	49	5029	323-600-256	25	20
128	323-885-002	39	10	1189	323-600-301	21	50	5053	323-600-015	13	28
131	323-886-001	39	11	1189	323-600-301	21	59	5060	323-600-004	27	12
132	323-659-200	39	16	1196	323-600-029	19	14	5077	323-600-307	17	27
134	323-945-015	39	2	1196	323-600-029	25	48	5078	323-600-001	3	6
135A	323-945-003	39	1	1202	323-600-032	7	22	5080	323-600-008	9	25
153	323-660-200	39	3	1202	323-600-032	25	24	5081	323-600-009	9	26
175	323-600-321	35	17	1206	323-600-021	11	28	5082A	323-604-201	13	47
			8	1206	323-600-021	31	18	5084	323-600-013	5	15
178	323-945-007	39		1216	323-600-068	5	17	5084	323-600-013	11	12
179	323-885-200	39	4	1216	323-600-068	19	47	5084	323-600-013	15	21
182	323-880-214	39	12	1216	323-600-068	33	2	5084	323-600-013	15	34
200	323-880-005	39	13	1216	323-600-068	33	8	5084	323-600-013	17	17
216	323-535-001	37	14	1229	323-600-016	25	52	5084	323-600-013	19	3
217	323-600-118	37	1	1231	323-600-051	25	42	5084	323-600-013	19	38
218	323-535-002	37	2	1231	323-600-051	25	56	5084	323-600-013	21	6
219	323-740-035	37	3	1234	323-600-006	7	6	5084	323-600-013	21	25
220	323-740-036	37	4	1234	323-600-006	33	17	5088	323-600-044	23	13
221	323-600-119	37	6	1333	323-600-048	15	44	5091	323-600-257	7	36
			7	1333	323-600-048	15	51	5091	323-600-257	7	40
222	323-630-018	37	8	1333	323-600-048	25	7	5091	323-600-257	7	43
223	323-620-024	37	9	1457	323-600-012	13	33	5091	323-600-257	7	56
224	323-615-028	37	10	1457	323-600-012	17	31	5094	323-600-072	7	28
225	323-617-001	37	11	1457	323-600-012	25	12	5094	323-600-072	7	31
226	323-630-019	37	12	1458	323-600-037	23	4	5094	323-600-072	27	16
227	323-685-013	37	13	1458	323-600-037	27	10	5104	325-630-002	17	4
228	323-850-031	37	14	1732	323-600-075	13	35	5104	325-630-002	33	13
229	323-740-034	37	15	2022	323-600-043	3	3	5113	323-600-039	13	8
230	323-600-120	37	16	2022	323-600-043	9	9	5113	323-600-039	17	25
230	323-600-120	37	19	2022	323-600-043	13	3	5113	323-600-039	17	29
230	323-600-120	37	25	2022	323-600-043	27	14	5117	323-600-057	3	25
231	323-630-020	37	17	2022-4	323-600-022	13	2	5117	323-600-057	5	6
231	323-630-020	37	20	2022-4	323-600-022	15	8	5117	323-600-057	5	9
231	323-630-020	37	23	2022-4	323-600-022	25	34	5117	323-600-057	9	19
231	323-630-020	37	26	2133-1	323-600-215	21	29	5117	323-600-057	11	14
233	323-750-006	37	21	2133-1	323-600-215	25	10	5117	323-600-057	23	22
235	323-851-020	37	27	2193	323-600-271	15	12	5117	323-600-057	27	4
236	323-630-021	37	28	2213-1	323-600-056	15	2	5117	323-600-057	27	20
236	323-630-021	37	30	2902	323-600-259	7	46	5117	323-600-057	27	22
237	323-851-021	37	29	2905	323-600-074	17	45	5117	323-600-057	31	16
239	323-600-121	37	32	2913-2	323-600-316	25	32	5117	323-600-057	33	15
240	323-505-009	37	33	2918	323-600-073	33	5	5117	323-600-057	39	24
241	323-600-122	37	34	2921	323-600-026	25	54	5118	323-600-060	19	45
242	323-600-123	37	35	2921	323-600-026	33	19	5118	323-600-060	19	49
243	323-800-041	37	5	2922	323-600-229	17	9	5118	323-600-060	25	27
245	323-533-005	39	18	3001	323-600-059	27	25	5118	323-600-060	31	3
260	323-685-016	37	31	3044	323-630-001	5	21	5136	323-600-245	9	3
261	323-685-017	37		3044	323-630-001	17	41	5136	323-600-245	15	20
272	323-880-016	39	15	3044	323-630-001	17	46	5136	323-600-245	15	40
282	323-880-010	39	9	3044	323-630-001	25	3	5136	323-600-245	25	40
283	323-880-011	39	8	3056	323-630-015	17	32	5136	323-600-245	25	45
284	323-880-012	39	7	3056	323-630-015	17	37	5137	323-630-202	7	29
285	323-880-013	39	6	4009-1	323-600-014	5	3	5137	323-630-202	13	59
286	323-880-014	39	5	4009-1	323-600-014	5	11	5138B	323-600-354	29	18
288	323-940-003	37		4009-1	323-600-014	7	2	5141	323-600-087	21	46
289	323-940-004	37		4009-1	323-600-014	7	8	5143A	323-604-235	13	57
292	323-535-005	37	18	4009-1	323-600-014	13	37	5145	323-600-326	27	2
293	323-590-004	37	24	4009-1	323-600-014	13	61	5146	323-600-264	7	26
300	323-600-369	37	22	4009-1	323-600-014	17	24	5150B	323-605-006	29	20
1156	323-600-200	15	5	4009-1	323-600-014	21	3	5152	323-600-061	7	12
1170-1	323-600-020	15	3	4009-1	323-600-014	23	19	5163	323-600-328	3	10
1170-3	323-600-046	13	15	5001	323-600-273	23	11	5167	325-600-011	25	5
1174	323-600-027	9	11	5010	323-600-010	9	30	5179	323-600-329	3	18
1175-2	323-600-002	11	24	5010	323-600-010	11	29	5182	323-600-109	7	44
1175-2	323-600-002	21	48	5012	323-600-255	31	7	5205	323-600-353	21	33
1175-2	323-600-002	21	57	5019	323-600-274	35	11	5205	323-600-353	21	35
1175-2	323-600-002	23	24	5022	323-600-251	7	33	5227	323-600-302	11	22
1175-3	323-600-019	19	18	5029	323-600-256	11	16	5227	323-600-302	11	26
1186	323-600-246	13	24	5029	323-600-256	11	18	5231	323-600-309	21	16
1189	323-600-301	7	20	5029	323-600-256	11	18				

From the library of: Diamond Needle Corp

CROSS NUMBER INDEX

(part numbers vs new product code numbers)

OLD NO.	NEW PRODUCT CODE NO.	PAGE	REF NO.	OLD NO.	NEW PRODUCT CODE NO.	PAGE	REF NO.	OLD NO.	NEW PRODUCT CODE NO.	PAGE	REF NO.
5231	323-600-309	21	20	200136	323-636-200	31	20	202689	323-641-201	33	16
5232	323-600-314	5	19	200137	323-604-222	31	9	202706A	323-866-214	13	23
5232	323-600-314	25	25	200137	323-604-222	31	21	202757A	323-617-002	25	37
5233	323-600-296	11	2	200138	323-615-209	29	3	202769	323-615-219	35	6
5233	323-600-296	23	2	200138	323-615-209	29	14	202849	323-800-215	13	48
5234	323-600-297	11	4	200138	323-615-209	31	11	202849	323-800-215	17	36
5237	323-600-327	3	9	200138	323-615-209	31	22	202868	323-618-209	19	53
5238	323-600-294	9	20	200140A	323-639-036	29	9	202875	323-615-216	33	6
5240	323-600-293	9	12	200152	323-604-209	29	2	202903	323-627-208	29	5
5242	323-600-143	31	2	200152	323-604-209	29	11	204003	323-882-201	3	14
5260	323-630-203	23	27	200155	323-685-213	29	13	204006	323-620-242	3	20
5267	323-600-295	9	28	200155	323-685-213	31	23	204010	323-671-200	9	1
5271	323-600-141	25	2	200162A	323-615-031	5	18	204014	323-676-243	9	8
5284	323-600-306	15	37	200205	323-640-203	13	20	204016	323-676-232	9	10
5284	323-600-306	15	46	200555	323-634-004	7	25	204018	323-615-217	9	14
5292	323-600-341	13	6	200555	323-634-004	13	13	204019A	323-646-001	9	15
5292	323-600-341	13	40	200654	323-620-206	13	5	204020A	323-671-002	9	16
5292	323-600-341	15	31	201002	323-620-001	3	7	204022	323-626-202	9	18
5292	323-600-341	17	21	201002	323-620-001	3	11	204023	323-615-221	9	21
5312	323-600-351	19	8	201006	323-615-001	3	19	204025	323-546-203	9	24
5312	323-600-351	19	28	201009	323-649-001	27	8	204026	323-546-204	9	27
5316	323-600-347	19	42	201037	323-642-001	13	43	204029	323-535-205	11	1
5317	323-600-355	21	27	201037	323-642-001	13	53	204042	323-561-218	11	21
5317	323-600-355	25	38	201048A	323-860-200	7	37	204042	323-561-218	11	25
5321A	323-600-083	19	51	201048A	323-860-200	7	50	204052A	323-626-201	15	25
5325	323-600-110	23	16	201056	323-618-003	17	16	204052A	323-626-201	19	36
5332	323-600-359	3	2	201056	323-618-003	21	5	204054	323-676-235	15	15
5333	323-600-358	17	7	201056	323-618-003	25	11	204054	323-676-235	21	4
5336	323-600-116	11	20	201074A	323-850-200	15	4	204081	323-676-236	15	26
5336	323-600-116	19	24	201107	323-750-002	21	31	204082A	323-525-239	17	1
5341	323-600-101	21	52	201117	323-618-006	11	11	204084	323-672-200	17	10
5345	323-600-096	31	5	201139	323-680-001	5	14	204084	323-672-200	19	4
5346	323-600-366	21	39	201185	323-615-012	7	57	204085	323-576-220	19	5
5353	323-630-236	15	35	201293A	323-800-006	27	3	204089	323-676-250	17	15
5359	323-600-091	13	18	201294	323-764-001	27	5	204093	323-530-226	15	45
5366	323-600-124	19	27	201295	323-764-002	27	6	204095A	323-866-213	17	20
5380	323-604-019	33	12	201308	323-873-001	25	6	204096	323-850-246	17	22
5381	323-600-136	11	6	201311	323-663-001	27	18	204097A	323-740-032	17	23
5381	323-600-136	15	17	201323	323-600-062	29	4	204099	323-851-220	17	30
5381	323-600-136	17	12	201338	323-655-002	27	17	204099	323-851-220	17	43
5381	323-600-136	19	6	201341	323-508-002	27	19	204100	323-525-232	19	1
5381	323-600-136	19	40	201360B	323-576-010	11	5	204107	323-618-212	15	11
5381	323-600-136	21	8	201395	323-640-228	25	22	204107	323-618-212	21	2
5381	323-600-136	21	42	201482	323-613-001	13	45	204111A	323-730-011	21	9
5381	323-600-136	23	6	201482	323-613-001	13	55	204114	323-676-251	21	15
5385	323-600-127	15	28	201482	323-613-001	17	34	204114	323-676-251	21	19
5404	323-630-032	21	54	201482	323-613-001	17	39	204115	323-618-211	21	17
5412	323-600-134	19	30	201523A	323-671-001	9	13	204115	323-618-211	21	21
5437	323-600-139	17	19	201758	323-600-064	29	7	204122	323-525-234	21	18
5439	323-605-008	35	4	201759	323-615-010	29	8	204123A	323-593-003	21	22
5441	323-600-140	5	20	202081	323-653-003	9	31	204124	323-593-207	21	23
5455	325-630-007	21	13	202176	323-653-005	13	30	204128A	323-620-252	21	24
9070-2	323-600-224	13	21	202176	323-653-005	13	64	204129A	323-676-261	21	28
137142	323-615-017	33	9	202176	323-653-005	15	22	204139A	323-502-213	19	39
137906	323-615-018	7	23	202286	323-617-200	7	47	204140A	323-730-214	19	41
137906	323-615-018	33	3	202286	323-617-200	15	6	204142B	323-800-036	19	48
167066	323-615-211	23	14	202286	323-617-200	15	13	204143A	323-891-200	19	50
167072	323-604-229	17	35	202287A	323-615-229	29	19	204145A	323-525-014	23	1
167072	323-604-229	17	40	202433	323-615-027	17	5	204146	323-620-244	23	3
167077	323-642-201	17	33	202495	323-850-021	13	17	204147	323-525-236	23	5
167077	323-642-201	17	38	202522	323-634-200	19	32	204149	323-676-239	23	8
167079	323-860-211	7	35	202522	323-634-200	19	43	204150	323-680-208	23	9
167079	323-860-211	7	49	202526	323-692-201	3	26	204158	323-640-219	23	20
191145A	325-851-204	7	54	202527A	323-870-005	23	12	204159	323-625-202	23	21
198192	323-627-020	7	10	202576	323-615-201	5	13	204160A	323-850-247	11	23
200030	323-634-204	13	32	202645	323-629-201	25	18	204160A	323-850-247	23	23
200041	323-850-221	13	19	202647A	323-620-239	25	21	204162	323-600-331	23	26
200098	323-615-002	23	28	202653	323-620-240	7	4	204172	323-716-208	15	43
200136	323-636-200	29	10	202683	323-716-209	25	26	204172	323-716-208	15	50
200136	323-636-200	31	10	202689	323-641-201	7	5	204177B	323-530-016	25	23

CROSS INDEX
(part numbers vs new product code numbers)

OLD NO.	NEW PRODUCT CODE NO.	PAGE	REF NO.	OLD NO.	NEW PRODUCT CODE NO.	PAGE	REF NO.	OLD NO.	NEW PRODUCT CODE NO.	PAGE	REF NO.
204178	323-640-220	25	28	204874	323-540-024	17	13	208286	323-615-036	21	55
204180	323-515-203	27	1	204875	323-676-038	17	14	208289	323-800-056	3	23
204183	323-540-237	27	7	204878	323-843-002	13	63	208290	323-663-020	3	24
204184	323-540-236	27	9	204881	323-515-004	9	2	208293	323-676-046	15	14
204185	323-632-201	19	33	204883	323-530-018	19	46	208294	323-676-045	19	35
204185	323-632-201	27	15	204888	323-618-019	33	11	208295	323-676-044	15	24
204186	323-570-203	27	13	204921	323-639-239	31	8	208307	323-851-024	13	58
204187	323-570-204	27	11	204921	323-639-239	31	19	208308	323-658-005	31	1
204188	323-902-020	27	21	204929	323-710-003	25	29	208312	323-850-062	13	36
204189	323-683-214	27	24	204930	323-676-039	25	30	208313	323-530-029	25	33
204192	323-663-211	27	23	205088	323-627-014	3	15	208314	323-620-036	25	35
204193	323-639-232	29	1	205216	323-945-005	39	22	208315	323-640-024	25	36
204194	323-639-233	29	6	205217	323-600-117	39	23	208316	323-604-018	25	31
204196	323-736-200	29	12	205466	323-945-011	35	2	208317	323-800-057	5	1
204198	323-568-202	29	15	205467	323-646-006	35	5	208318	323-663-023	29	17
204218	323-734-204	5	16	205468	323-774-002	35	9	208320	323-780-011	9	29
204223	323-510-248	7	7	205469	323-774-003	35	10	208330	323-625-002	19	17
204242	323-627-206	7	32	205470	323-740-062	35	7	208339	323-627-019	7	14
204243	323-627-207	7	34	205473	323-945-014	35	1	208340	323-891-004	7	48
204251	323-663-207	3	5	205495	323-620-040	11	3	208341	323-800-055	5	4
204270	323-653-006	31	12	205495	323-620-040	19	2	208342	323-663-022	5	5
204270	323-653-006	31	24	206115	325-683-003	7	55	208346	323-525-013	15	1
204293	323-616-200	15	38	206115	325-683-003	17	44	208347	323-510-078	5	7
204293	323-616-200	15	47	206181	325-680-009	23	10	208348	323-655-011	5	8
204293	323-616-200	17	6	206336	325-630-004	35	3	208352	323-591-010	13	38
204314A	323-810-217	15	48	206457	323-656-003	7	16	208356	323-561-029	11	15
204319	323-663-205	9	4	206550	323-632-004	7	17	208357	323-561-030	11	17
204324	323-860-215	17	26	208008	323-728-008	7	21	208358	323-561-031	11	19
204354	323-620-251	19	11	208009	323-620-026	7	24	208359	323-740-066	11	13
204431	323-810-219	15	41	208010	323-640-015	7	27	208360	323-810-017	15	39
204439A	323-615-033	21	26	208023A	323-510-086	7	3	208361	323-530-033	15	36
204466	323-653-008	31	25	208025	323-730-215	15	27	208362	323-851-026	17	28
204517	323-576-225	17	11	208026	323-620-030	15	29	208363	323-850-059	17	42
204518	323-625-201	17	8	208027	323-750-007	15	30	208366	323-830-156	21	49
204520	323-615-233	9	7	208028	323-618-214	15	32	208374	323-640-030	25	55
204520	323-615-233	17	3	208029	323-680-010	15	33	208381	323-851-027	13	22
204522	323-561-220	11	27	208097	323-620-032	17	2	208382	323-740-067	13	16
204588	323-686-002	21	11	208107A	323-850-050	21	34	208383	323-510-095	7	18
204593	323-900-012	27		208108	323-850-049	21	32	208384	323-510-096	7	19
204618	323-653-004	21	10	208109	323-560-046	21	37	208387	323-652-005	31	17
204625A	323-676-025	13	25	208168	323-663-019	21	36	208389	323-450-001	33	1
204627A	323-676-263	13	26	208169A	323-663-021	3	13	208390	323-450-002	33	
204649	323-891-002	7	38	208173	323-780-009	3	16	208392	323-830-155	21	47
204650A	323-510-030	7	30	208173	323-780-009	3	28	208393	323-870-008	23	25
204751	323-540-016	21	1	208192	323-576-014	15	7	208393	323-870-008	39	20
204752	323-540-017	19	34	208193	323-576-013	15	16	208400	323-851-025	13	60
204754	323-680-007	19	37	208194	323-730-010	15	18	208409	323-618-018	19	15
204755	323-530-011	19	44	208195	323-620-033	15	19	208410	323-716-013	19	19
204756	323-640-006	19	54	208196	323-540-028	15	23	208411	323-900-050	19	
204757	323-600-102	19	55	208207	323-787-005	19	10	208412	323-764-003	19	21
204789	323-618-010	9	5	208208	323-800-063	19	12	208413	323-740-059	19	20
204789	323-618-010	15	9	208209	323-800-064	19	13	208415	323-640-025	19	22
204794A	323-655-007	3	22	208235	323-618-017	23	29	208416	323-900-051	19	
204806	323-615-029	29	21	208247	323-540-027	11	7	208417	323-764-004	19	26
204810	323-750-003	21	30	208248	323-676-042	11	8	208418	323-740-060	19	25
204827	323-627-009	5	23	208249	323-676-043	11	10	208419	323-680-012	17	18
204828	323-627-010	3	17	208250	323-626-002	11	9	208420	323-535-004	19	29
204828	323-627-010	3	27	208260	323-713-003	29	16	208421	323-640-021	19	31
204848A	323-560-051	7	1	208272	323-632-002	9	23	208422	323-663-024	5	2
204860	323-658-004	31		208273	323-716-011	21	40	208424	323-576-017	13	1
204861	323-658-003	31	13	208274	023-518-001	21	41	208425	323-730-012	13	4
204862	323-510-035	31	14	208275	023-750-001	21	43	208427	323-683-018	13	14
204863	323-620-025	19	23	208276	023-510-001	21	44	208430	323-800-061	5	10
204863	323-620-025	31	15	208277	323-580-083	19	7	208434	323-560-047	3	12
204865A	323-510-088	7	42	208278	023-580-001	19	16	208447	323-630-033	13	41
204868	323-646-004	7	45	208279	023-580-002	19	9	208447	323-630-033	13	51
204869	323-600-107	19	56	208284	323-576-019	21	7	208448	323-676-047	13	42
204870	323-630-017	19	52	208285	323-620-035	21	12	208448	323-676-047	13	52
204871	323-628-002	7	39	208285	323-620-035	21	53	208449	323-650-001	13	46
204873	323-758-003	9	6	208286	323-615-036	21	14	208449	323-650-001	13	56

From the library of St. Paul's Hospital

CROSS NUMBER INDEX

(part numbers vs new product code numbers)

OLD NO.	NEW PRODUCT		REF NO.	OLD NO.	NEW PRODUCT		REF NO.	OLD NO.	NEW PRODUCT		REF NO.
	CODE NO.	PAGE			CODE NO.	PAGE			CODE NO.	PAGE	
208450	323-780-010	13	44	208771	323-850-060	25	14				
208450	323-780-010	13	54								
208476	323-680-013	9	22								
208477	323-800-072	9	17								
208481	323-663-030	7	15								
208482	323-627-018	5	22								
208482	323-627-018	7	13								
208486	323-652-004	31	4								
208487	323-800-065	31	6								
208488	323-900-045	13									
208488	323-900-045	13	50								
208491	323-900-048	13									
208526	323-502-011	25	1								
208529	323-640-022	25	53								
208534	323-540-031	25	8								
208535	323-676-050	25	9								
208537	323-592-001	25	13								
208540	323-640-023	25	15								
208549	323-620-042	25	4								
208560	323-510-090	13	7								
208561	323-653-017	13	9								
208562	323-653-018	13	10								
208563	323-800-062	13	11								
208564		3	21								
208566	323-801-137	13	34								
208567	323-801-138	13	49								
208568	323-510-089	13									
208569	323-850-061	33	4								
208570	323-510-097	7	51								
208572	323-820-044	25	39								
208575	323-560-058	25	41								
208578	323-683-021	23	15								
208579	323-620-044	23	17								
208580	323-685-023	23	18								
208581	323-510-094	7	11								
208582	323-540-036	15	10								
208583	323-800-070	7	41								
208598	323-530-031	25	17								
208599	323-676-053	25	19								
208602	323-500-019	3	4								
208603	323-500-020	3	8								
208610	323-802-014	5	12								
208615	323-600-142	25	16								
208616	323-560-053	13	27								
208617	323-653-019	13	29								
208621	323-780-012	13	31								
208624		3	1								
208625	323-800-069	21	38								
208628	323-801-139	13	62								
208629	323-830-157	21	56								
208630	323-830-158	21	58								
208632	323-820-046	25	47								
208636	323-740-068	25	44								
208637	323-640-029	25	43								
208638	323-400-011	33	7								
208642	323-740-069	33	10								
208643	323-505-017	33	14								
208645	323-800-071	7	52								
208646	323-774-004	33	18								
208647	323-627-021	7	53								
208696	323-530-034	23	7								
208713	323-620-043	13	12								
208714	323-540-034	9	32								
208715	323-540-035	9	33								
208724	323-692-038	7	9								
208755	323-576-020	21	51								
208767	323-820-045	25	46								
208768	323-586-001	25	49								
208769	323-586-002	25	50								
208770	323-586-003	25	51								

From the library of: Diamond Needle Corp

CROSS NUMBER INDEX

(new product code numbers vs part numbers)

NEW PRODUCT				NEW PRODUCT				NEW PRODUCT			
CODE NO.	OLD NO.	PAGE	REF NO.	CODE NO.	OLD NO.	PAGE	REF NO.	CODE NO.	OLD NO.	PAGE	REF NO.
	DM X 13	39	21	323-561-029	208356	11	15	323-600-027	1174	9	11
	208564	3	21	323-561-030	208357	11	17	323-600-029	1196	19	14
	208624	3	1	323-561-031	208358	11	19	323-600-029	1196	25	48
023-510-001	208276	21	44	323-561-218	204042	11	21	323-600-032	1202	7	22
023-518-001	208274	21	41	323-561-218	204042	11	25	323-600-032	1202	25	24
023-580-001	208278	19	16	323-561-220	204522	11	27	323-600-037	1458	23	4
023-580-002	208279	19	9	323-568-202	204198	29	15	323-600-037	1458	27	10
023-750-001	208275	21	43	323-570-203	204186	27	13	323-600-039	5113	13	8
323-400-011	208638	33	7	323-570-204	204187	27	11	323-600-039	5113	17	25
323-450-001	208389	33	1	323-576-010	201360B	11	5	323-600-039	5113	17	29
323-450-002	208390	33		323-576-013	208193	15	16	323-600-043	2022	3	3
323-500-019	208602	3	4	323-576-014	208192	15	7	323-600-043	2022	9	9
323-500-020	208603	3	8	323-576-017	208424	13	1	323-600-043	2022	13	3
323-502-011	208526	25	1	323-576-019	208284	21	7	323-600-043	2022	27	14
323-502-213	204139A	19	39	323-576-020	208755	21	51	323-600-044	5088	23	13
323-505-009	240	37	33	323-576-220	204085	19	5	323-600-046	1170-3	13	15
323-505-017	208643	33	14	323-576-225	204517	17	11	323-600-048	1333	15	44
323-508-002	201341	27	19	323-580-083	208277	19	7	323-600-048	1333	15	51
323-510-030	204650A	7	30	323-586-001	208788	25	49	323-600-048	1333	25	7
323-510-035	204862	31	14	323-586-002	208769	25	50	323-600-051	1231	25	42
323-510-078	208347	5	7	323-586-003	208770	25	51	323-600-051	1231	25	56
323-510-086	208023A	7	3	323-590-004	293	37	24	323-600-056	2213-1	15	2
323-510-088	204865A	7	42	323-591-010	208352	13	38	323-600-057	5117	3	25
323-510-089	208568	13		323-592-001	208537	25	13	323-600-057	5117	5	6
323-510-090	208560	13	7	323-593-003	204123A	21	22	323-600-057	5117	5	9
323-510-094	208581	7	11	323-593-207	204124	21	23	323-600-057	5117	9	19
323-510-095	208383	7	18	323-600-001	5078	3	6	323-600-057	5117	11	14
323-510-096	208384	7	19	323-600-002	1175-2	11	24	323-600-057	5117	23	22
323-510-097	208570	7	51	323-600-002	1175-2	21	48	323-600-057	5117	27	4
323-510-248	204223	7	7	323-600-002	1175-2	21	57	323-600-057	5117	27	20
323-515-004	204881	9	2	323-600-002	1175-2	23	24	323-600-057	5117	27	22
323-515-203	204180	27	1	323-600-004	5060	27	12	323-600-057	5117	31	16
323-525-013	208346	15	1	323-600-006	1234	7	6	323-600-057	5117	33	15
323-525-014	204145A	23	1	323-600-006	1234	33	17	323-600-057	5117	39	24
323-525-232	204100	19	1	323-600-008	5080	9	25	323-600-059	3001	27	25
323-525-234	204122	21	18	323-600-009	5081	9	26	323-600-060	5118	19	45
323-525-236	204147	23	5	323-600-010	5010	9	30	323-600-060	5118	19	49
323-525-239	204082A	17	1	323-600-010	5010	11	29	323-600-060	5118	25	27
323-530-011	204755	19	44	323-600-012	1457	13	33	323-600-060	5118	31	3
323-530-016	204177B	25	23	323-600-012	1457	17	31	323-600-061	5152	7	12
323-530-018	204883	19	46	323-600-012	1457	25	12	323-600-062	201323	29	4
323-530-029	208313	25	33	323-600-013	5084	5	15	323-600-064	201758	29	7
323-530-031	208598	25	17	323-600-013	5084	11	12	323-600-068	1216	5	17
323-530-033	208361	15	36	323-600-013	5084	15	21	323-600-068	1216	19	47
323-530-034	208696	23	7	323-600-013	5084	15	34	323-600-068	1216	33	2
323-530-226	204093	15	45	323-600-013	5084	17	17	323-600-068	1216	33	8
323-533-005	245	39	18	323-600-013	5084	19	3	323-600-072	5094	7	28
323-535-001	216	37	1	323-600-013	5084	19	38	323-600-072	5094	7	31
323-535-002	218	37	3	323-600-013	5084	21	6	323-600-072	5094	27	16
323-535-004	208420	19	29	323-600-013	5084	21	25	323-600-073	2918	33	5
323-535-005	292	37	18	323-600-014	4009-1	5	3	323-600-074	2905	17	45
323-535-205	204029	11	1	323-600-014	4009-1	5	11	323-600-075	1732	13	35
323-540-016	204751	21	1	323-600-014	4009-1	7	2	323-600-083	5321A	19	51
323-540-017	204752	19	34	323-600-014	4009-1	7	8	323-600-087	5141	21	46
323-540-024	204874	17	13	323-600-014	4009-1	13	37	323-600-091	5359	13	18
323-540-027	208247	11	7	323-600-014	4009-1	13	61	323-600-096	5345	31	5
323-540-028	208196	15	23	323-600-014	4009-1	17	24	323-600-101	5341	21	52
323-540-031	208534	25	8	323-600-014	4009-1	21	3	323-600-102	204757	19	55
323-540-034	208714	9	32	323-600-014	4009-1	23	19	323-600-107	204869	19	56
323-540-035	208715	9	33	323-600-015	5053	13	28	323-600-109	5182	7	44
323-540-036	208582	15	10	323-600-016	1229	25	52	323-600-110	5325	23	16
323-540-236	204184	27	9	323-600-019	1175-3	19	18	323-600-116	5336	11	20
323-540-237	204183	27	7	323-600-020	1170-1	15	3	323-600-116	5336	19	24
323-546-203	204025	9	24	323-600-021	1206	11	28	323-600-117	205217	39	23
323-546-204	204026	9	27	323-600-021	1206	31	18	323-600-118	217	37	2
323-560-046	208109	21	37	323-600-022	2022-4	13	2	323-600-119	221	37	7
323-560-047	208434	3	12	323-600-022	2022-4	15	8	323-600-120	230	37	16
323-560-051	204848A	7	1	323-600-022	2022-4	25	34	323-600-120	230	37	19
323-560-053	208616	13	27	323-600-026	2921	25	54	323-600-120	230	37	25
323-560-058	208575	25	41	323-600-026	2921	33	19	323-600-121	239	37	32

CROSS NUMBER INDEX
(new product code numbers vs part numbers)

NEW PRODUCT CODE NO.	OLD NO.	PAGE	REF NO.	NEW PRODUCT CODE NO.	OLD NO.	PAGE	REF NO.	NEW PRODUCT CODE NO.	OLD NO.	PAGE	REF NO.
323-600-122	241	37	34	323-600-331	204162	23	26	323-618-003	201056	25	11
323-600-123	242	37	35	323-600-341	5292	13	6	323-618-006	201117	11	11
323-600-124	5366	19	27	323-600-341	5292	13	40	323-618-010	204789	9	5
323-600-127	5385	15	28	323-600-341	5292	15	31	323-618-010	204789	15	9
323-600-134	5412	19	30	323-600-341	5292	17	21	323-618-017	208235	23	29
323-600-136	5381	11	6	323-600-347	5316	19	42	323-618-018	208409	19	15
323-600-136	5381	15	17	323-600-351	5312	19	8	323-618-019	204888	33	11
323-600-136	5381	17	12	323-600-351	5312	19	28	323-618-209	202868	19	53
323-600-136	5381	19	6	323-600-353	5205	21	33	323-618-211	204115	21	17
323-600-136	5381	19	40	323-600-353	5205	21	35	323-618-211	204115	21	21
323-600-136	5381	21	8	323-600-354	5138B	29	18	323-618-212	204107	15	11
323-600-136	5381	21	42	323-600-355	5317	21	27	323-618-212	204107	21	2
323-600-136	5381	23	6	323-600-355	5317	25	38	323-618-214	208028	15	32
323-600-139	5437	17	19	323-600-358	5333	17	7	323-620-001	201002	3	7
323-600-140	5441	5	20	323-600-359	5332	3	2	323-620-001	201002	3	11
323-600-141	5271	25	2	323-600-366	5346	21	39	323-620-024	223	37	9
323-600-142	208615	25	16	323-600-369	300	37	22	323-620-025	204863	19	23
323-600-143	5242	31	2	323-604-018	208316	25	31	323-620-025	204863	31	15
323-600-200	1156	15	5	323-604-019	5380	33	12	323-620-026	208009	7	24
323-600-215	2133-1	21	29	323-604-201	5082A	13	47	323-620-030	208026	15	29
323-600-215	2133-1	25	10	323-604-209	200152	29	2	323-620-032	208097	17	2
323-600-224	9070-2	13	21	323-604-209	200152	29	11	323-620-033	208195	15	19
323-600-229	2922	17	9	323-604-222	200137	31	9	323-620-035	208285	21	12
323-600-245	5136	9	3	323-604-222	200137	31	21	323-620-035	208285	21	53
323-600-245	5136	15	20	323-604-229	167072	17	35	323-620-036	208314	25	35
323-600-245	5136	15	40	323-604-229	167072	17	40	323-620-040	205495	11	3
323-600-245	5136	25	40	323-604-235	5143A	13	57	323-620-040	205495	19	2
323-600-245	5136	25	45	323-605-006	5150B	29	20	323-620-042	208549	25	4
323-600-246	1186	13	24	323-605-008	5439	35	4	323-620-043	208713	13	12
323-600-251	5022	7	33	323-613-001	201482	13	45	323-620-044	208579	23	17
323-600-255	5012	31	7	323-613-001	201482	13	55	323-620-206	200654	13	5
323-600-256	5029	11	16	323-613-001	201482	17	34	323-620-239	202647A	25	21
323-600-256	5029	11	18	323-613-001	201482	17	39	323-620-240	202653	7	4
323-600-256	5029	21	45	323-615-001	201006	3	19	323-620-242	204006	3	20
323-600-256	5029	25	20	323-615-002	200098	23	28	323-620-244	204146	23	3
323-600-257	5091	7	36	323-615-010	201759	29	8	323-620-251	204354	19	11
323-600-257	5091	7	40	323-615-012	201185	7	57	323-620-252	204128A	21	24
323-600-257	5091	7	43	323-615-017	137142	33	9	323-625-002	208330	19	17
323-600-257	5091	7	56	323-615-018	137906	7	23	323-625-201	204518	17	8
323-600-259	2902	7	46	323-615-018	137906	33	3	323-625-202	204159	23	21
323-600-264	5146	7	26	323-615-027	202433	17	5	323-626-002	208250	11	9
323-600-271	2193	15	12	323-615-028	224	37	10	323-626-201	204052A	15	25
323-600-273	5001	23	11	323-615-029	204806	29	21	323-626-201	204052A	19	36
323-600-274	5019	35	11	323-615-031	200162A	5	18	323-626-202	204022	9	18
323-600-293	5240	9	12	323-615-033	204439A	21	26	323-627-009	204827	5	23
323-600-294	5238	9	20	323-615-036	208286	21	14	323-627-010	204828	8	17
323-600-295	5267	9	28	323-615-036	208286	21	55	323-627-010	204828	3	27
323-600-296	5233	11	2	323-615-201	202576	5	13	323-627-014	205088	3	15
323-600-296	5233	23	2	323-615-209	200138	29	3	323-627-018	208482	5	22
323-600-297	5234	11	4	323-615-209	200138	29	14	323-627-018	208482	7	13
323-600-301	1189	7	20	323-615-209	200138	31	11	323-627-019	208339	7	14
323-600-301	1189	15	42	323-615-209	200138	31	22	323-627-020	198192	7	10
323-600-301	1189	15	49	323-615-211	167066	23	14	323-627-021	208647	7	53
323-600-301	1189	21	50	323-615-216	202875	33	6	323-627-206	204242	7	32
323-600-301	1189	21	59	323-615-217	204018	9	14	323-627-207	204243	7	34
323-600-302	5227	11	22	323-615-219	202769	35	6	323-627-208	202903	29	5
323-600-302	5227	11	26	323-615-221	204023	9	21	323-628-002	204871	7	39
323-600-306	5284	15	37	323-615-229	202287A	29	19	323-629-201	202645	25	18
323-600-306	5284	15	46	323-615-233	204520	9	7	323-630-001	3044	5	21
323-600-307	5077	17	27	323-615-233	204520	17	3	323-630-001	3044	17	41
323-600-309	5231	21	16	323-616-200	204293	15	38	323-630-001	3044	17	46
323-600-309	5231	21	20	323-616-200	204293	15	47	323-630-001	3044	25	3
323-600-314	5232	5	19	323-616-200	204293	17	6	323-630-015	3056	17	32
323-600-314	5232	25	25	323-617-001	225	37	11	323-630-015	3056	17	37
323-600-316	2913-2	25	32	323-617-002	202757A	25	37	323-630-017	204870	19	52
323-600-321	175	35	8	323-617-200	202286	7	47	323-630-018	222	37	8
323-600-326	5145	27	2	323-617-200	202286	15	6	323-630-019	226	37	12
323-600-327	5237	3	9	323-617-200	202286	15	13	323-630-020	231	37	17
323-600-328	5163	3	10	323-618-003	201056	17	16	323-630-020	231	37	20
323-600-329	5179	3	18	323-618-003	201056	21	5	323-630-020	231	37	23

From the library of: Diamond Needle Corp

CROSS NUMBER INDEX

(new product code numbers vs part numbers)

NEW PRODUCT CODE NO.	OLD NO.	PAGE	REF NO.	NEW PRODUCT CODE NO.	OLD NO.	PAGE	REF NO.	NEW PRODUCT CODE NO.	OLD NO.	PAGE	REF NO.
323-630-020	231	37	26	323-658-004	204860	31		323-730-011	204111A	21	9
323-630-021	236	37	28	323-658-005	208308	31	1	323-730-012	208425	13	4
323-630-021	236	37	30	323-659-200	132	39	2	323-730-214	204140A	19	41
323-630-032	5404	21	54	323-660-200	153	39	17	323-730-215	208025	15	27
323-630-033	208447	13	41	323-663-001	201311	27	18	323-732-001	126	39	19
323-630-033	208447	13	51	323-663-019	208168	21	36	323-734-204	204218	5	16
323-630-202	5137	7	29	323-663-020	208290	3	24	323-736-200	204196	29	12
323-630-202	5137	13	59	323-663-021	208169A	3	13	323-740-032	204097A	17	23
323-630-203	5260	23	27	323-663-022	208342	5	5	323-740-034	229	37	15
323-630-236	5353	15	35	323-663-023	208318	29	17	323-740-035	219	37	4
323-632-002	208272	9	23	323-663-024	208422	5	2	323-740-036	220	37	6
323-632-004	206550	7	17	323-663-030	208481	7	15	323-740-059	208413	19	20
323-632-201	204185	19	33	323-663-205	204319	9	4	323-740-060	208418	19	25
323-632-201	204185	27	15	323-663-207	204251	3	5	323-740-062	205470	35	7
323-634-004	200555	7	25	323-663-211	204192	27	23	323-740-066	208359	11	13
323-634-004	200555	13	13	323-671-001	201523A	9	13	323-740-067	208382	13	16
323-634-200	202522	19	32	323-671-002	204020A	9	16	323-740-068	208636	25	44
323-634-200	202522	19	43	323-671-200	204010	9	1	323-740-069	208642	33	10
323-634-204	200030	13	32	323-672-200	204084	17	10	323-750-002	201107	21	31
323-636-200	200136	29	10	323-672-200	204084	19	4	323-750-003	204810	21	30
323-636-200	200136	31	10	323-676-025	204625A	13	25	323-750-006	233	37	21
323-636-200	200136	31	20	323-676-038	204875	17	14	323-750-007	208027	15	30
323-639-036	200140A	29	9	323-676-039	204930	25	30	323-758-003	204873	9	6
323-639-232	204193	29	1	323-676-042	208248	11	8	323-764-001	201294	27	5
323-639-233	204194	29	6	323-676-043	208249	11	10	323-764-002	201295	27	6
323-639-239	204921	31	8	323-676-044	208295	15	24	323-764-003	208412	19	21
323-639-239	204921	31	19	323-676-045	208294	19	35	323-764-004	208417	19	26
323-640-006	204756	19	54	323-676-046	208293	15	14	323-774-002	205468	35	9
323-640-015	208010	7	27	323-676-047	208448	13	42	323-774-003	205469	35	10
323-640-021	208421	19	31	323-676-047	208448	13	52	323-774-004	208646	33	18
323-640-022	208529	25	53	323-676-050	208535	25	9	323-780-009	208173	3	16
323-640-023	208540	25	15	323-676-053	208599	25	19	323-780-009	208173	3	28
323-640-024	208315	25	36	323-676-232	204016	9	10	323-780-010	208450	13	44
323-640-025	208415	19	22	323-676-235	204054	15	15	323-780-010	208450	13	54
323-640-029	208637	25	43	323-676-235	204054	21	4	323-780-011	208320	9	29
323-640-030	208374	25	55	323-676-236	204081	15	26	323-780-012	208621	13	31
323-640-203	200205	13	20	323-676-239	204149	23	8	323-787-005	208207	19	10
323-640-219	204158	23	20	323-676-243	204014	9	8	323-800-006	201293A	27	3
323-640-220	204178	25	28	323-676-250	204089	17	15	323-800-036	204142B	19	48
323-640-228	201395	25	22	323-676-251	204114	21	15	323-800-041	243	37	5
323-641-201	202689	7	5	323-676-251	204114	21	19	323-800-055	208341	5	4
323-641-201	202689	33	16	323-676-261	204129A	21	28	323-800-056	208289	3	23
323-642-001	201037	13	43	323-676-263	204627A	13	26	323-800-057	208317	5	1
323-642-001	201037	13	53	323-680-001	201139	5	14	323-800-061	208430	5	10
323-642-201	167077	17	33	323-680-007	204754	19	37	323-800-062	208563	13	11
323-642-201	167077	17	38	323-680-010	208029	15	33	323-800-063	208208	19	12
323-646-001	204019A	9	15	323-680-012	208419	17	18	323-800-064	208209	19	13
323-646-004	204868	7	45	323-680-013	208476	9	22	323-800-065	208487	31	6
323-646-006	205467	35	5	323-680-208	204150	23	9	323-800-069	208625	21	38
323-649-001	201009	27	8	323-683-018	208427	13	14	323-800-070	208583	7	41
323-650-001	208449	13	46	323-683-021	208578	23	15	323-800-071	208645	7	52
323-650-001	208449	13	56	323-683-214	204189	27	24	323-800-072	208477	9	17
323-652-004	208486	31	4	323-685-013	227	37	13	323-800-215	202849	13	48
323-652-005	208387	31	17	323-685-016	260	37	31	323-800-215	202849	17	36
323-653-003	202081	9	31	323-685-017	261	37		323-801-137	208566	13	34
323-653-004	204618	21	10	323-685-023	208580	23	18	323-801-138	208567	13	49
323-653-005	202176	13	30	323-685-213	200155	29	13	323-801-139	208628	13	62
323-653-005	202176	13	64	323-685-213	200155	31	23	323-802-014	208610	5	12
323-653-005	202176	15	22	323-686-002	204588	21	11	323-810-017	208360	15	39
323-653-006	204270	31	12	323-692-038	208724	7	9	323-810-217	204314A	15	48
323-653-006	204270	31	24	323-692-201	202526	3	26	323-810-219	204431	15	41
323-653-008	204466	31	25	323-710-003	204929	25	29	323-820-044	208572	25	39
323-653-017	208561	13	9	323-713-003	208260	29	16	323-820-045	208767	25	46
323-653-018	208562	13	10	323-716-011	208273	21	40	323-820-046	208632	25	47
323-653-019	208617	13	29	323-716-013	208410	19	19	323-830-155	208392	21	47
323-655-002	201338	27	17	323-716-208	204172	15	43	323-830-156	208366	21	49
323-655-007	204794A	3	22	323-716-208	204172	15	50	323-830-157	208629	21	56
323-655-011	208348	5	8	323-716-209	202683	25	26	323-830-158	208630	21	58
323-656-003	206457	7	16	323-728-008	208008	7	21	323-843-002	204878	13	63
323-658-003	204861	31	13	323-730-010	208194	15	18	323-850-021	202495	13	17

CROSS NUMBER INDEX

(new product code numbers vs part numbers)

NEW PRODUCT				NEW PRODUCT				NEW PRODUCT			
CODE NO.	OLD NO.	PAGE	REF NO.	CODE NO.	OLD NO.	PAGE	REF NO.	CODE NO.	OLD NO.	PAGE	REF NO.
323-850-031	228	37	14	325-851-204	191145A	7	54				
323-850-049	208108	21	32								
323-850-050	208107A	21	34								
323-850-059	208363	17	42								
323-850-060	208771	25	14								
323-850-061	208569	33	4								
323-850-062	208312	13	36								
323-850-200	201074A	15	4								
323-850-221	200041	13	19								
323-850-246	204096	17	22								
323-850-247	204160A	11	23								
323-850-247	204160A	23	23								
323-851-020	235	37	27								
323-851-021	237	37	29								
323-851-024	208307	13	58								
323-851-025	208400	13	60								
323-851-026	208362	17	28								
323-851-027	208381	13	22								
323-851-220	204099	17	30								
323-851-220	204099	17	43								
323-860-200	201048A	7	37								
323-860-200	201048A	7	50								
323-860-211	167079	7	35								
323-860-211	167079	7	49								
323-860-215	204324	17	26								
323-866-213	204095A	17	20								
323-866-214	202706A	13	23								
323-870-005	202527A	23	12								
323-870-008	208393	23	25								
323-870-008	208393	39	20								
323-873-001	201308	25	6								
323-880-005	200	39	14								
323-880-010	282	39	9								
323-880-011	283	39	8								
323-880-012	284	39	7								
323-880-013	285	39	6								
323-880-014	286	39	5								
323-880-016	272	39	15								
323-880-214	182	39	13								
323-882-201	204003	3	14								
323-885-001	127	39	10								
323-885-002	128	39	11								
323-885-200	179	39	12								
323-886-001	131	39	16								
323-891-002	204649	7	38								
323-891-004	208340	7	48								
323-891-200	204143A	19	50								
323-900-012	204593	27									
323-900-045	208488	13									
323-900-045	208488	13	50								
323-900-048	208491	13									
323-900-050	208411	19									
323-900-051	208416	19									
323-902-020	204188	27	21								
323-940-003	288	37									
323-940-004	289	37									
323-945-003	135A	39	3								
323-945-005	205216	39	22								
323-945-007	178	39	4								
323-945-011	205466	35	2								
323-945-014	205473	35	1								
323-945-015	134	39	1								
325-600-011	5167	25	5								
325-630-002	5104	17	4								
325-630-002	5104	33	13								
325-630-004	206336	35	3								
325-630-007	5455	21	13								
325-680-009	206181	23	10								
325-683-003	206115	7	55								
325-683-003	206115	17	44								

From the library of: Diamond Needle Corp